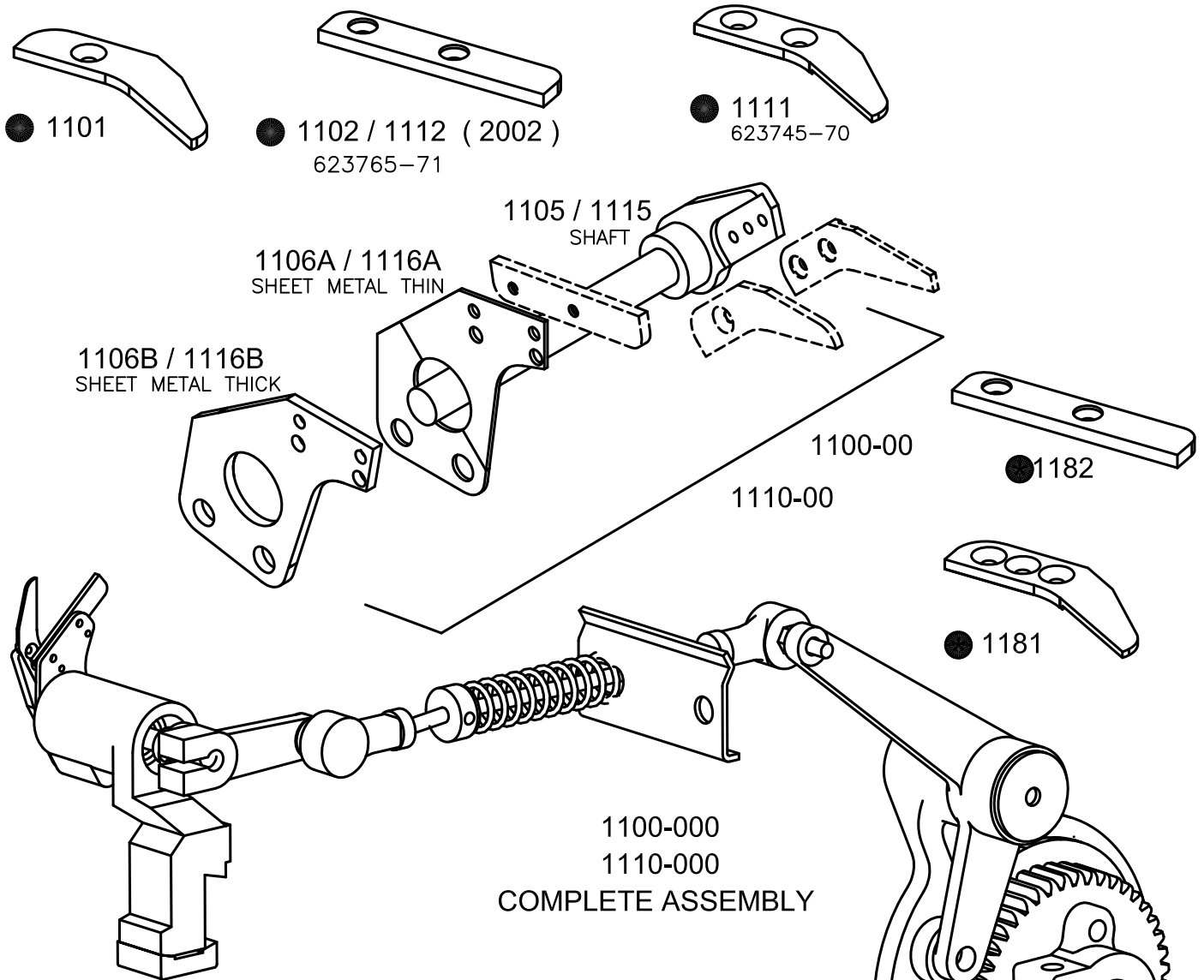
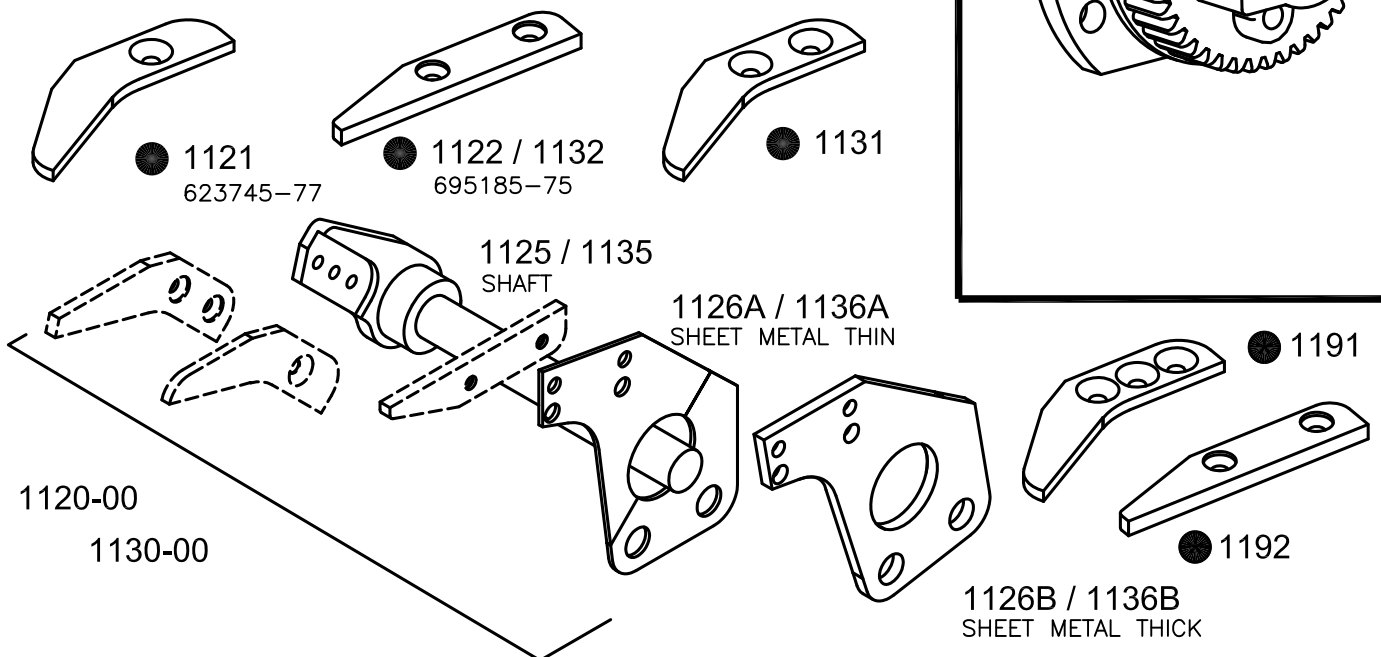


1100 , 1110 - ZW (WEFT)



1120 , 1130 - ZW (WEFT)



MATERIAL CODE : ● SOLID CARBIDE , ○ HSS , ◐ BRAZED CARBIDE , ⊙ TIN COATED