

2000, 2040 - ZA, ZAX (Weft)



⊙● 2001
624247-71



⊙● 2002
624154-72



⊙● 2003 / 2042
624154-70
624604-77A



⊙● 2001
624871-73A



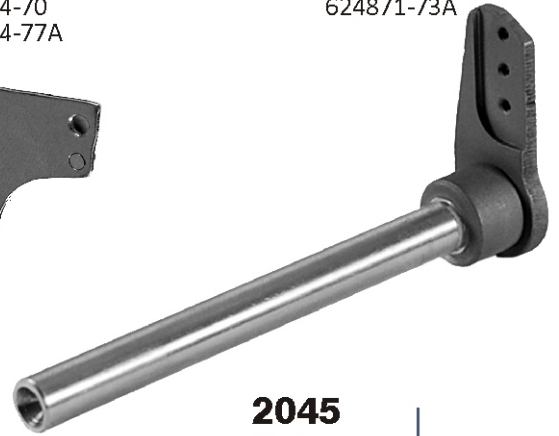
2006
Sheet Metal



2005
Shaft



2046
Sheet Metal



2045
Shaft

2000-00

2040-00

2010 - ZA, ZAX (Selvedge)



2010A-00
624311-71

Selvedge Cutter Assembly
Bush Type



● 2011



● 2012



● 2013



2010B-00
624311-71

Selvedge Cutter Assembly
Bearing Type

2020 - (Weft)

● 2021

● 2022

2026
Sheet Metal

2025
Shaft

2020-00

2030 - ZA, (Tuck in Selvedge)



⊙ 2034R
● 2032R



⊙ 2033R
● 2031R



⊙ 2033L
● 2031L



⊙ 2032L
● 2032L

Material code : ● Solid carbide / ○ HSS / ⊙ Brazed Carbide / ⊙ TiN Coated