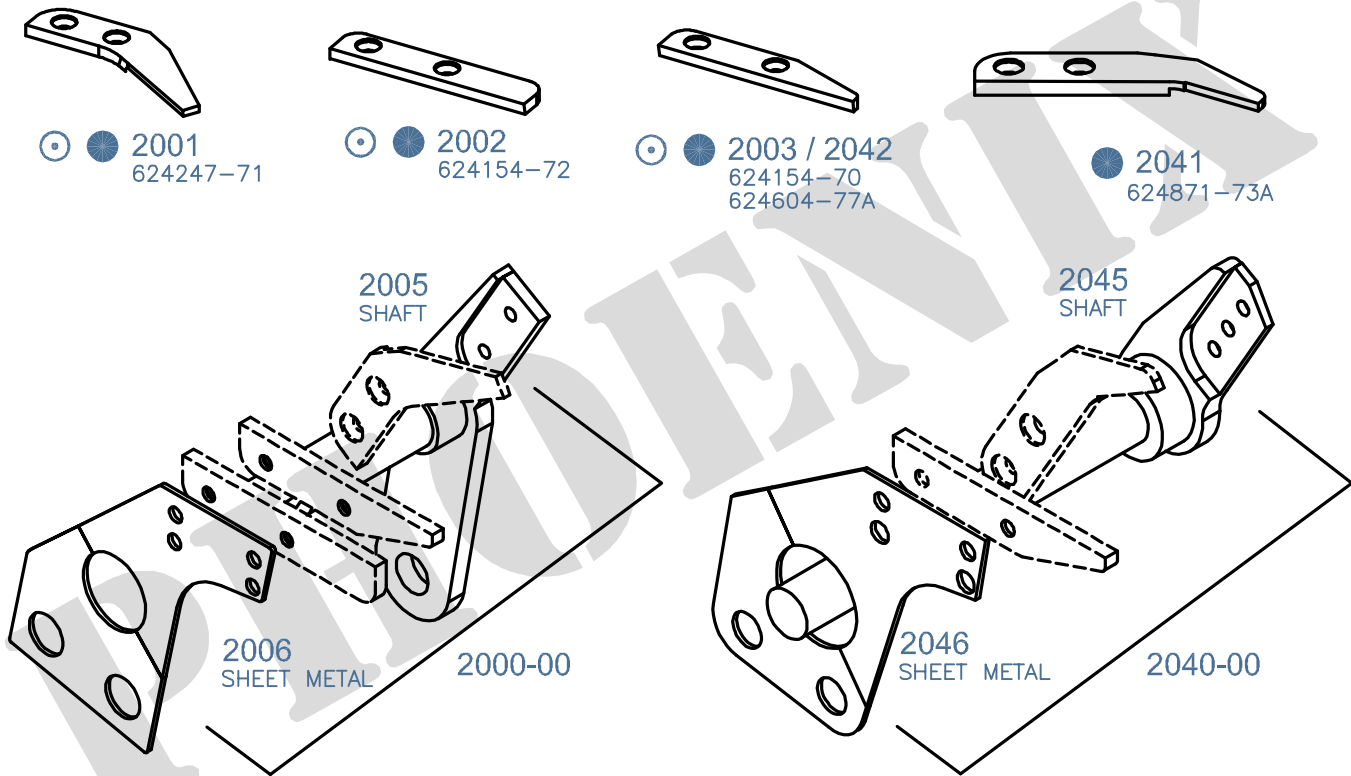
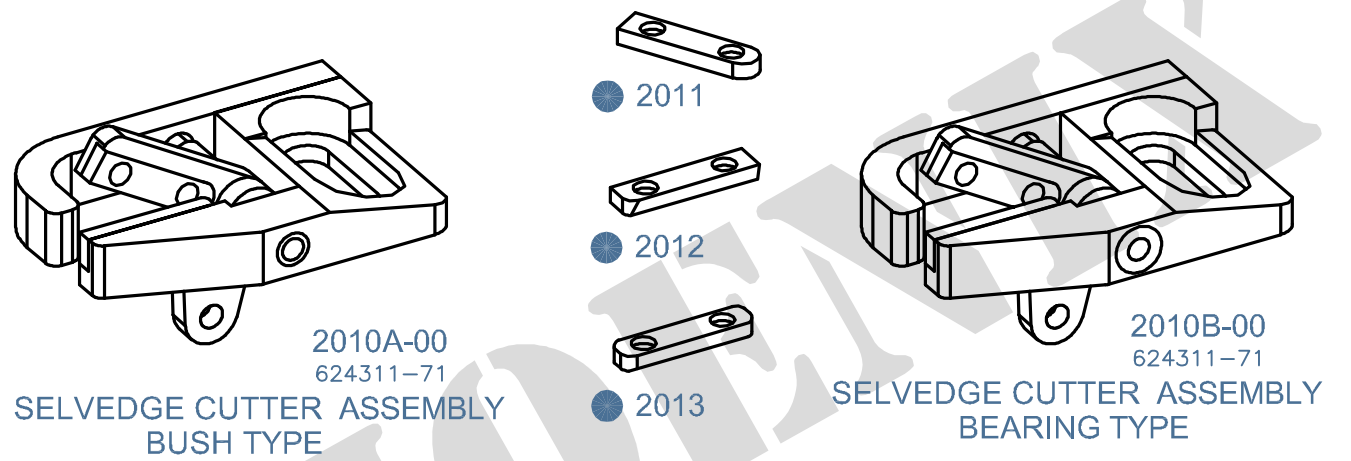


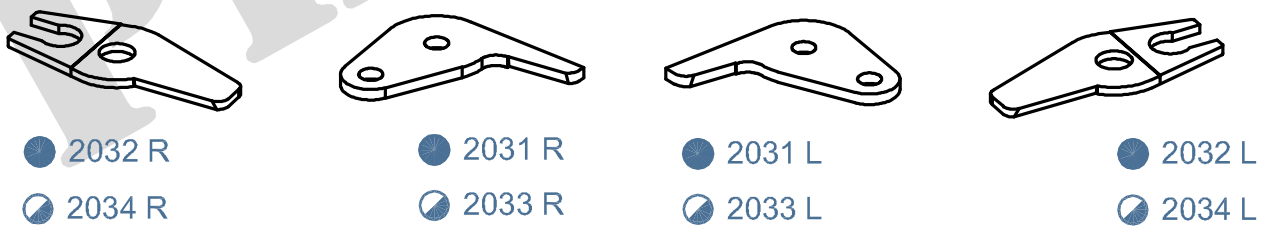
2000 & 2040 - ZA , ZAX (WEFT)



2010 - ZA , ZAX (SELVEDGE)



2030 - ZA (TUCK IN SELVEDGE)



MATERIAL CODE : ● SOLID CARBIDE , ○ HSS , ◐ BRAZED CARBIDE , ⊙ TIN COATED