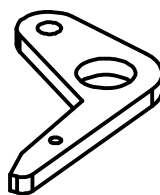
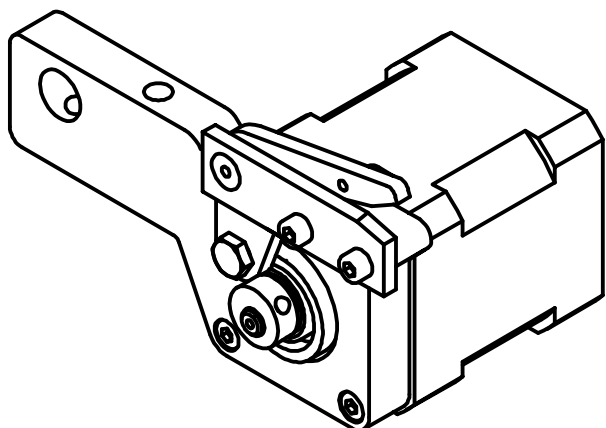
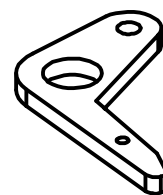


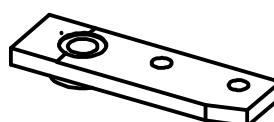
2360 - (MOTORIZED SELVEDGE RH & LH)



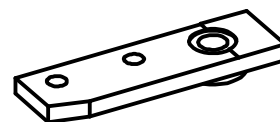
● 2361 R
B 163175
BA 306528



● 2361 L
BE 306529



● 2362 R
BE 207668
BE 306532



● 2362 L
BE 306533

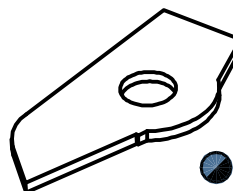
2360A-0R CUTTER ASSEMBLY W/O MOTOR
2360A-00R CUTTER ASSEMBLY WITH
R > BE 235169 STEPPER MOTOR RH

2360A-0L CUTTER ASSEMBLY W/O MOTOR
2360A-00L CUTTER ASSEMBLY WITH
L > BE 235170 STEPPER MOTOR RH

2900 - (TUCK IN SELVEDGE)



● 2901
BA 312939



● 2902
BA 312945

MATERIAL CODE : ● SOLID CARBIDE , ○ HSS , ◐ BRAZED CARBIDE , ⊙ TIN COATED