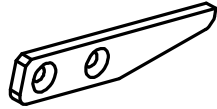
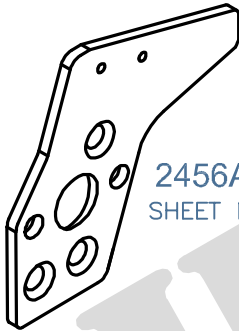


2450 - L5200 (WEFT SHORT)

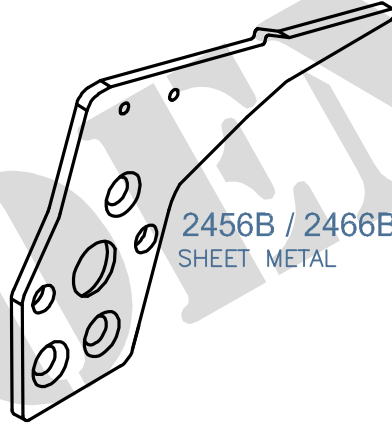
● 2452 M2
JC352 - 06199 - A



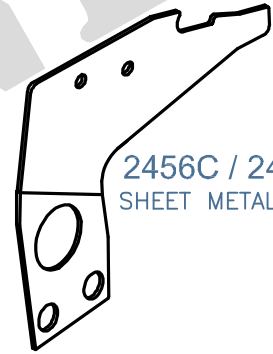
● 2451 M3
JC352 - 07199 - D



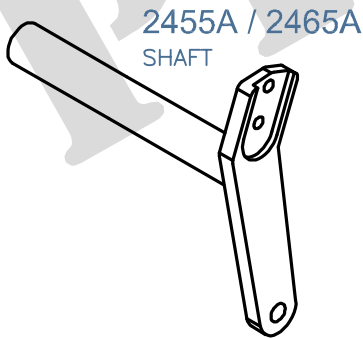
2456A / 2466A
SHEET METAL



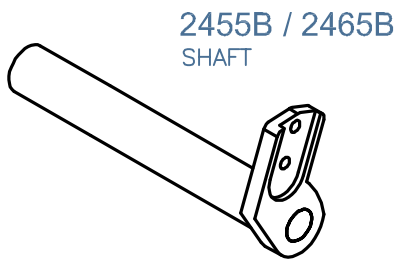
2456B / 2466B
SHEET METAL



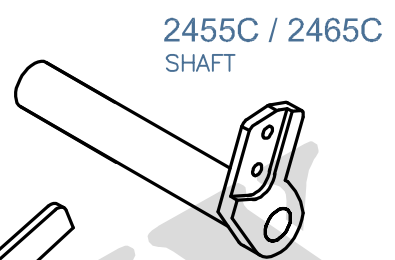
2456C / 2466C
SHEET METAL



2455A / 2465A
SHAFT



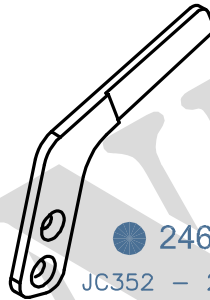
2455B / 2465B
SHAFT



2455C / 2465C
SHAFT



● 2462 M2
JC352 - 06199-B

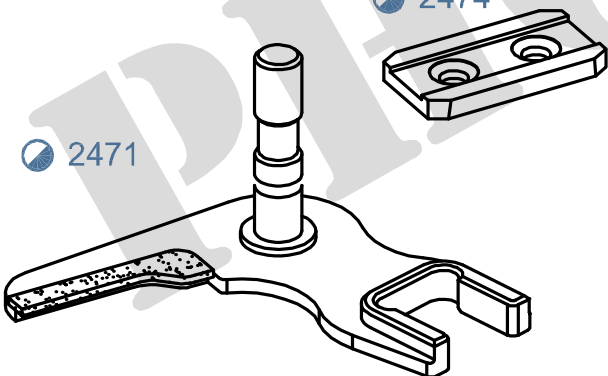


● 2461 M2
JC352 - 27199-E

2460 - L5200 (WEFT LONG)

2470 - L5100 (SELVEDGE RH)

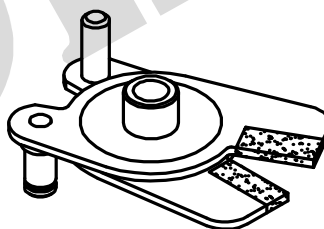
● 2472
○ 2474



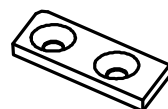
● 2471

2480 - (TUCK IN SELVEDGE SCISSOR)

2480-00 (2580)
J5304-49011-00
SCISSOR ASSEMBLY



2490 - (TUCK IN SELVEDGE) LS500



● 2491 M2

MATERIAL CODE : ● SOLID CARBIDE , ○ HSS , ◐ BRAZED CARBIDE , ⊙ TIN COATED