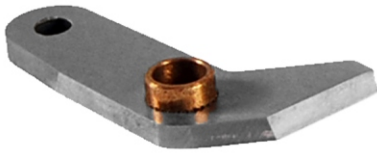


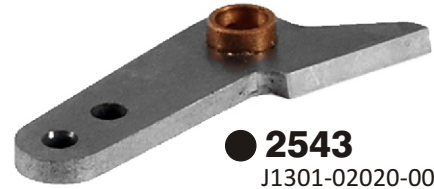
2540 - JAT 710/610 Terry (Selvedge RH)



● 2541



● 2542
J1302-01010-0A



● 2543
J1301-02020-00

● 2545
J1301-02030-00

2550 - JAT (Weft Short)

● 2551 M3
J1305-02050-0A

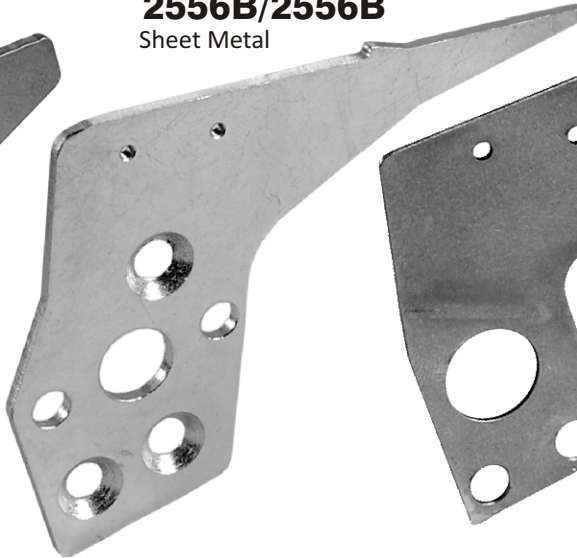


● 2552 M2
J1305-02040-0A

2556A/2566A
Sheet Metal



2556B/2556B
Sheet Metal



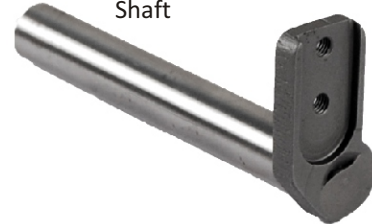
2556C/2566C
Sheet Metal



2555A/2565A
Shaft



2555B/2565B
Shaft



2556E/2566E
Sheet Metal



2556D/2566D
Sheet Metal

● 2561 M3
J1305-02050-00



● 2562 M2
J1308-02040-00



2555C/2565C
Shaft



2555D/2565D
Shaft
2555E/2565E
Shaft

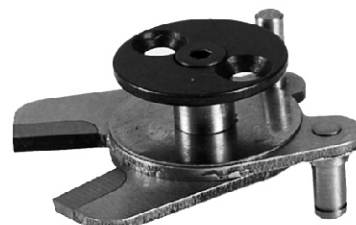
● 2562 M3
J1305-02050-00

2560 - JAT (Weft Long)

2580 & 2590 - (Tuck in Selvedge Scissor)

2580-00
J5304-49011-00

Scissor Assembly



2590-00
Modified Scissor Assembly