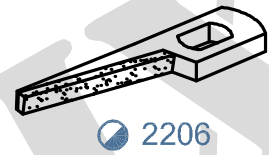
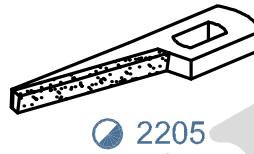
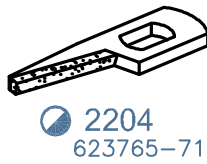
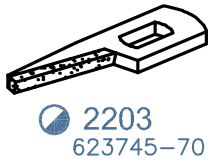


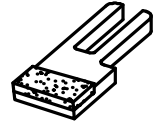
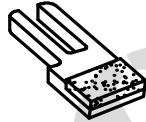
FOR INVESTA AIR JET

2200

2200 - (SELVEDGE)

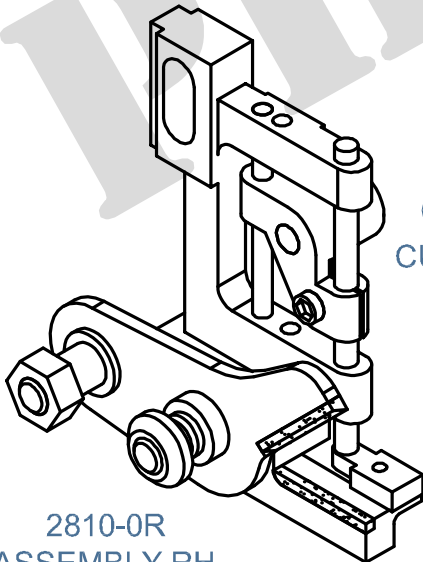


2220 - (WEFT)

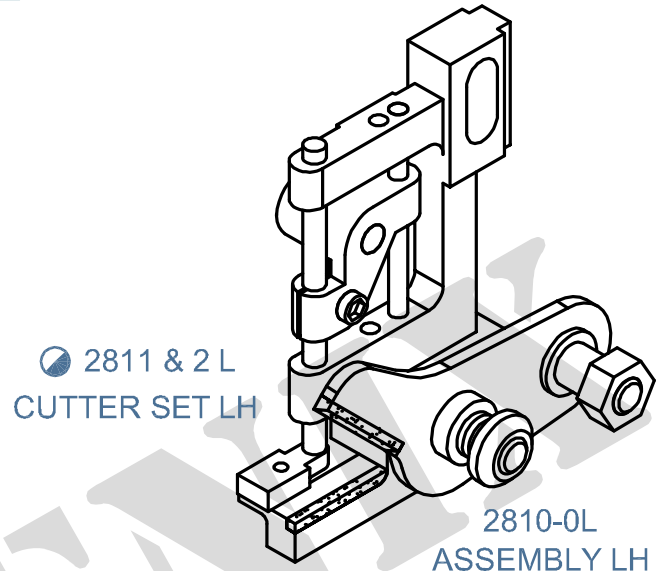


FOR DRAPER AIR JET

2810 - (TUCK IN SELVEDGE RH & LH)

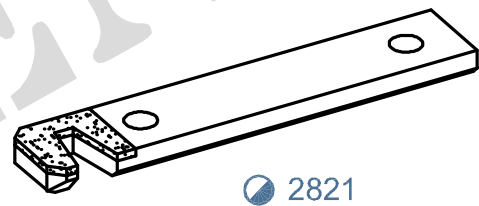
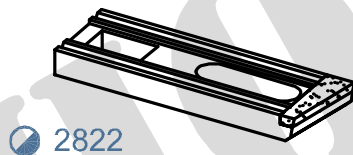


● 2811 & 2 R
CUTTER SET RH



● 2811 & 2 L
CUTTER SET LH

2820 - (WEFT)



FOR JETIS AIR JET

2500 - (SELVEDGE)



MATERIAL CODE : ● SOLID CARBIDE , ○ HSS , ◐ BRAZED CARBIDE , ⊙ TiN COATED