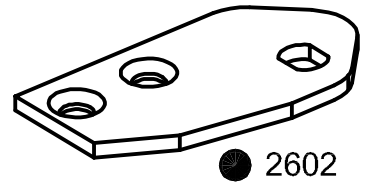
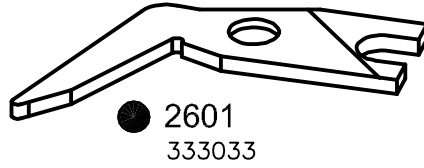
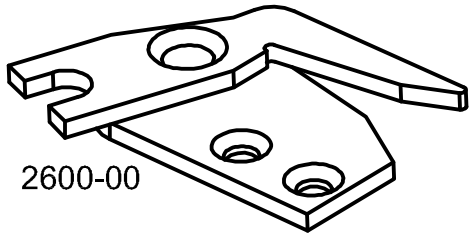
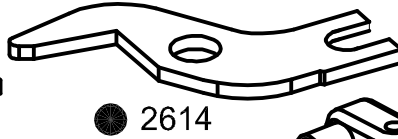
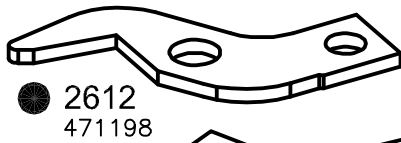
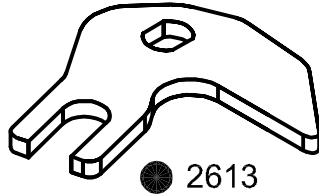
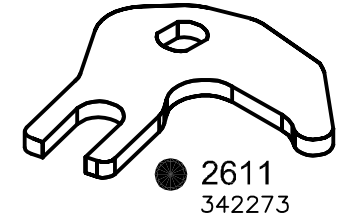


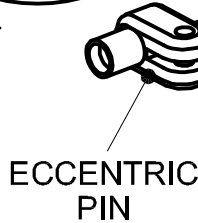
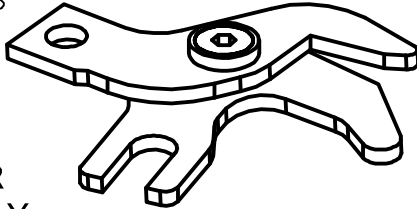
2600 - LTNFJ (WEFT)



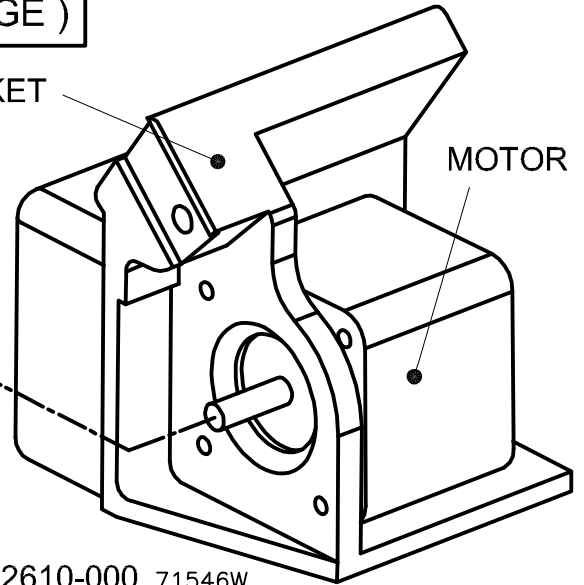
2610 - LMV 4/410, LWV (MOTORIZED SELVEDGE)



2610-00
70679B
CUTTER
ASSEMBLY

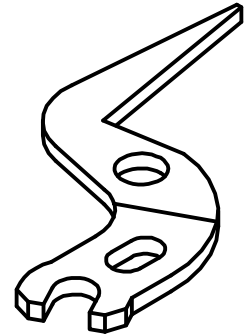
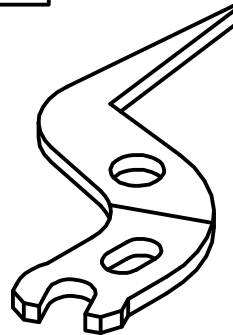
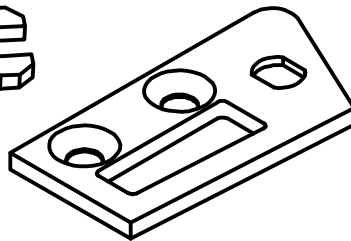
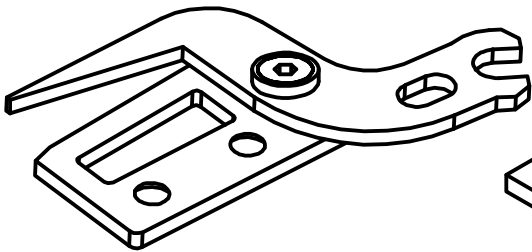


BRACKET

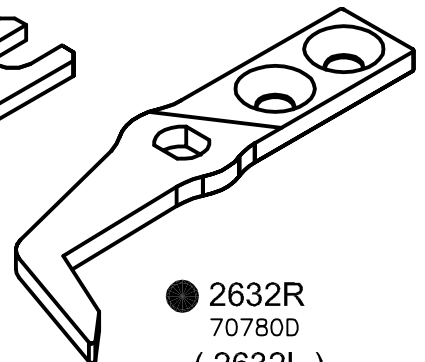
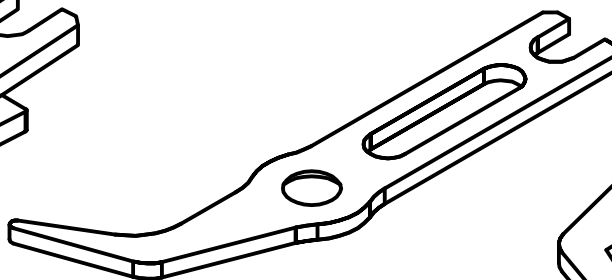
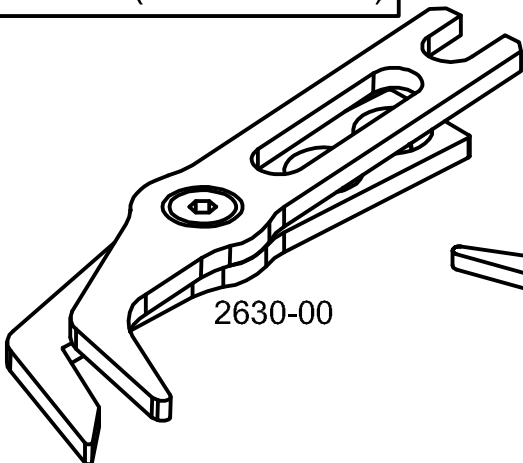


2610-000 71546W
CUTTER ASSEMBLY
WITH MOTOR W/O CIRCUIT

2620 - 4/410, LWV4S, LWV6E, LWV4/E10 (WEFT)



2630 - (SELVEDGE)



MATERIAL CODE : ● SOLID CARBIDE , ○ HSS , ◐ BRAZED CARBIDE , ⊙ TIN COATED