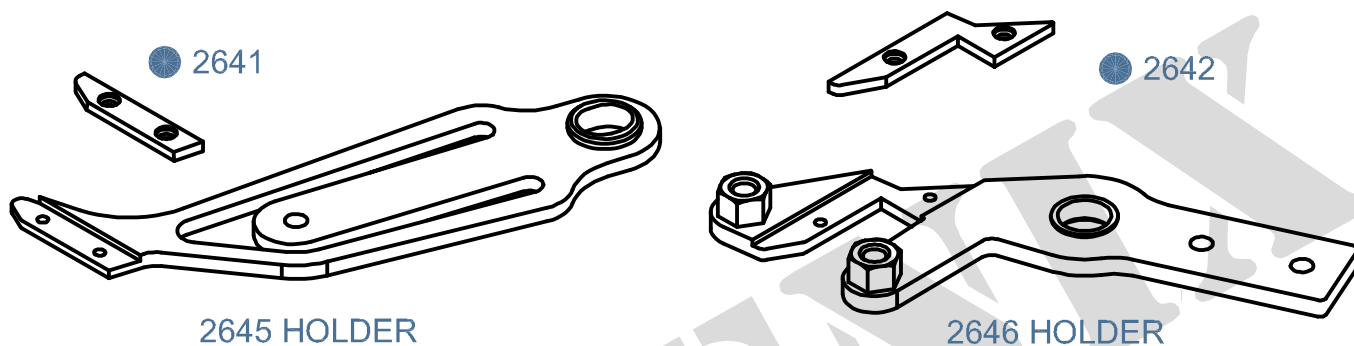
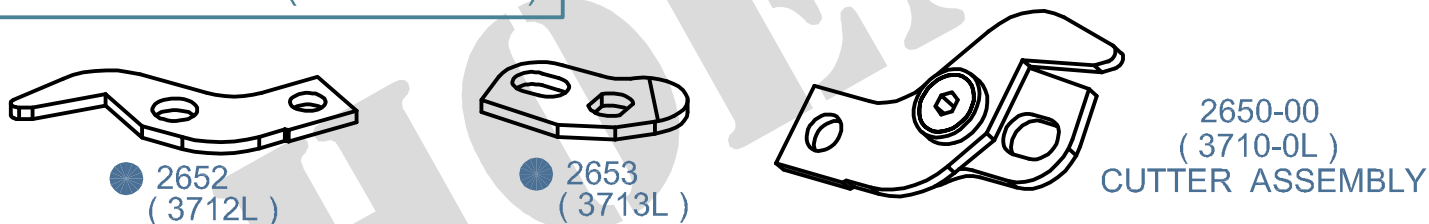


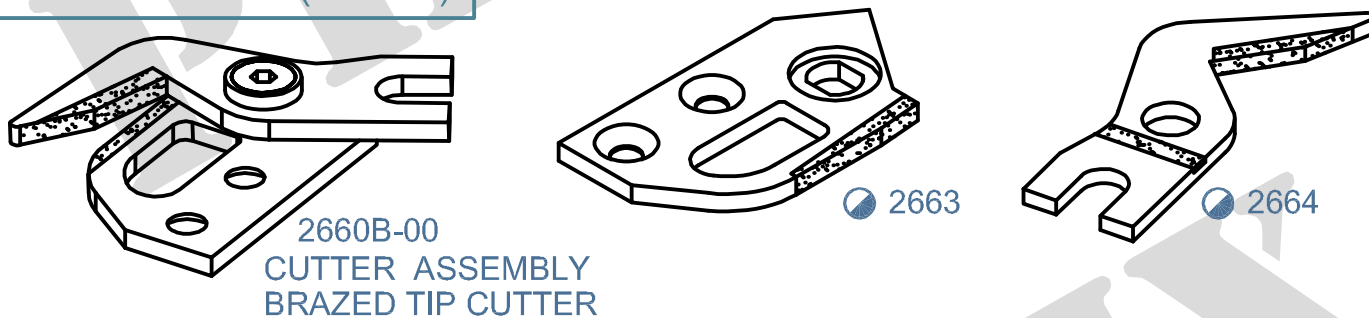
2640 - ( SELVEDGE )



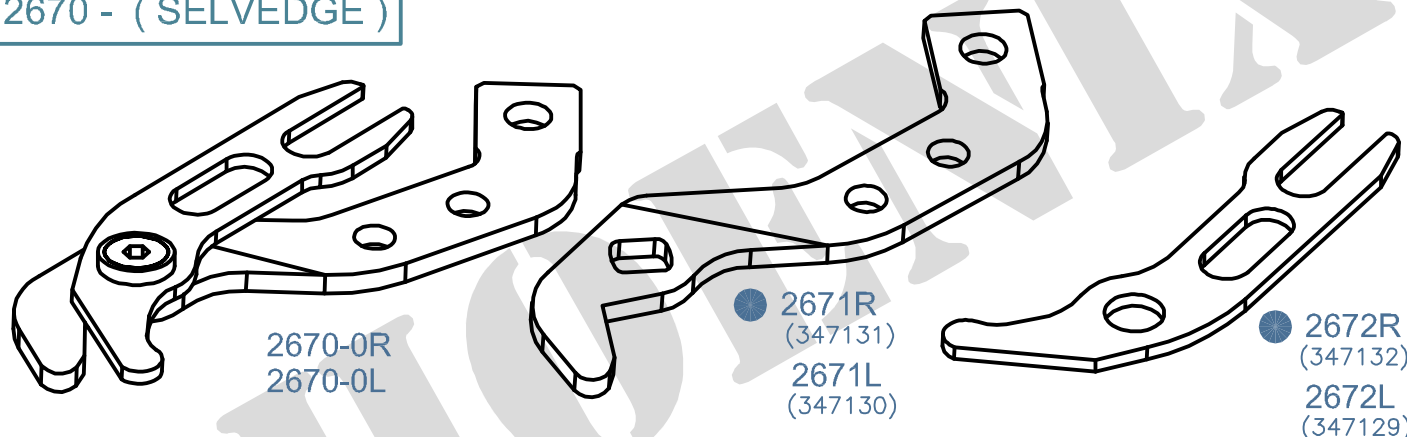
2650 - LWV4/S ( SELVEDGE )



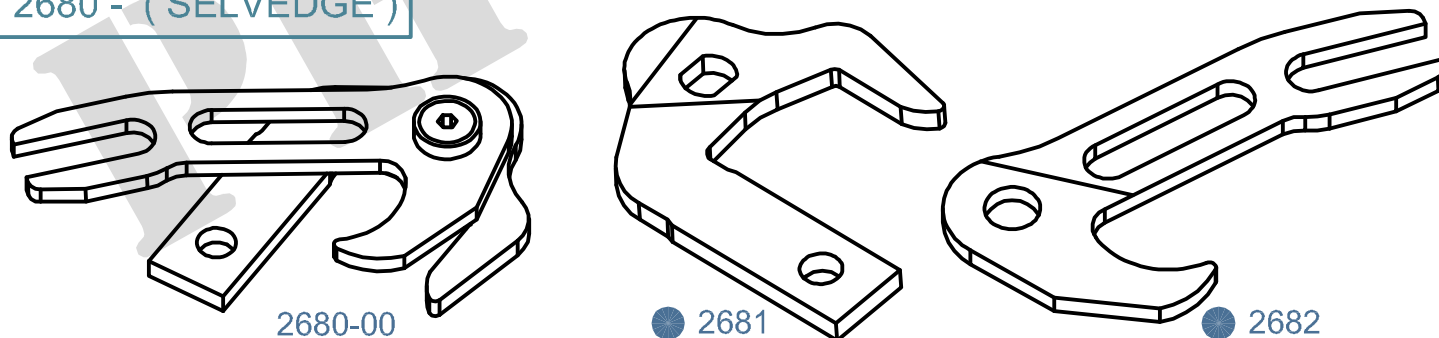
2660 - LWV4/S ( WEFT )



2670 - ( SELVEDGE )



2680 - ( SELVEDGE )



MATERIAL CODE : ● SOLID CARBIDE , ○ HSS , ◐ BRAZED CARBIDE , ⊙ TIN COATED