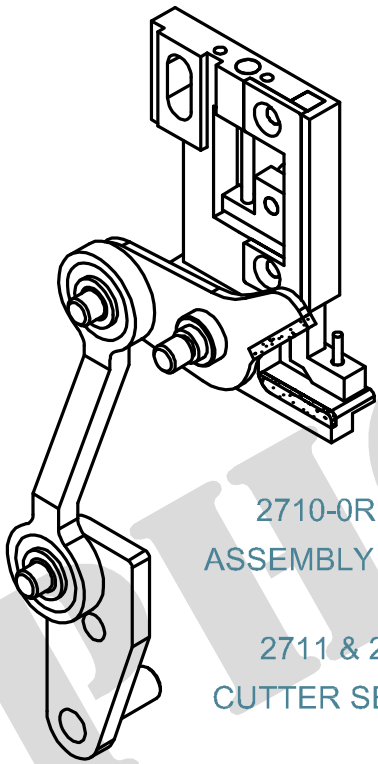
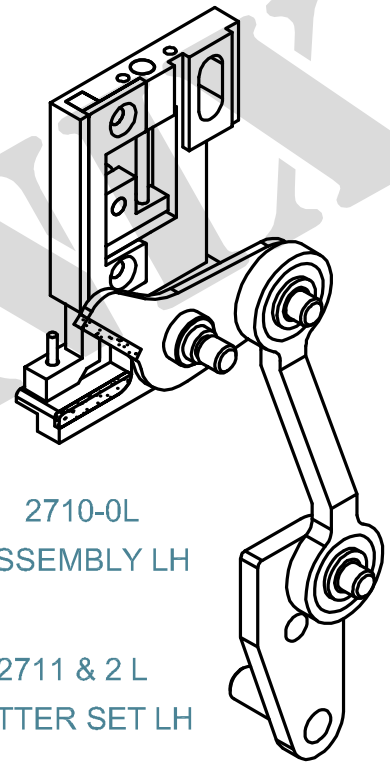


2710 - (TUCK IN SELVEDGE)



2710-0R
ASSEMBLY RH

2711 & 2 R
CUTTER SET RH

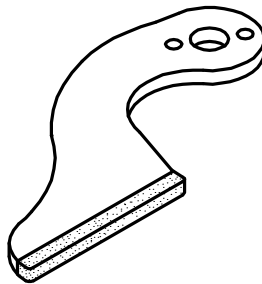


2710-0L
ASSEMBLY LH

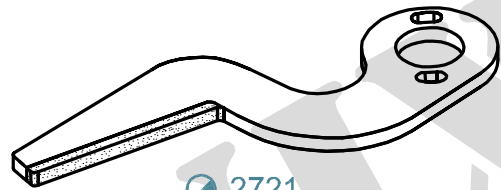
2711 & 2 L
CUTTER SET LH

2720 - (WEFT)

● 2722

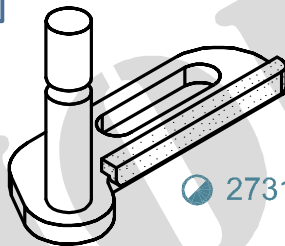


● 2721

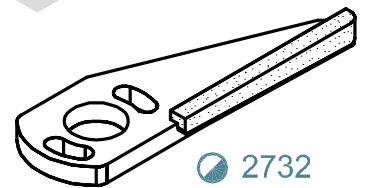


2730 - (SELVEDGE)

● 2731

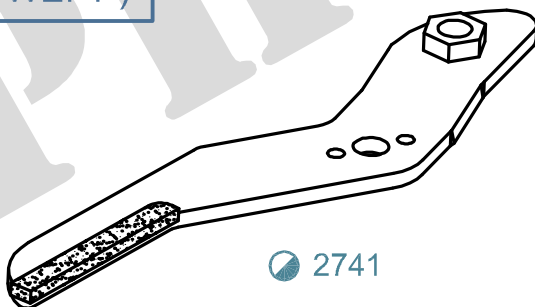


● 2732

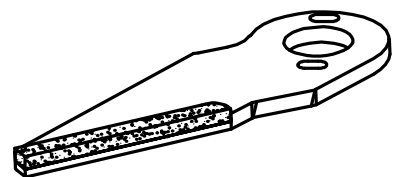


2740 - (WEFT)

● 2741



● 2742



MATERIAL CODE : ● SOLID CARBIDE , ○ HSS , ● BRAZED CARBIDE , ◎ TIN COATED