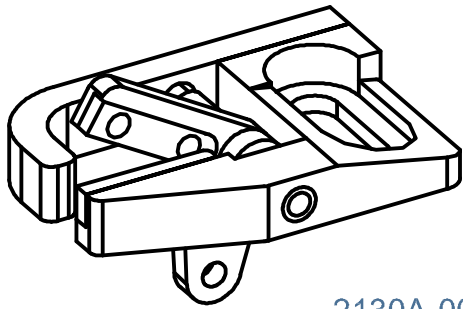


2130 - (SELVEDGE)



2130A-00
(2010A-00)

10 4D-00102-0

SELVEDGE CUTTER ASSEMBLY
BUSH TYPE



● 2131
(2011)

30 4D-E0201-0

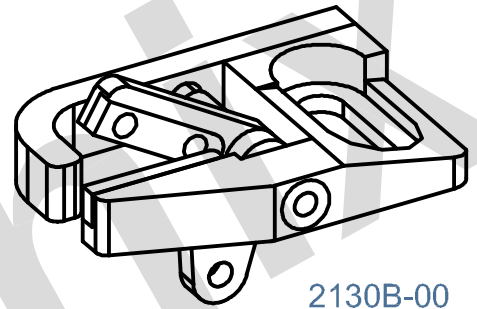


● 2132
(2012)

20 4D-E0101-0



● 2133
(2013)



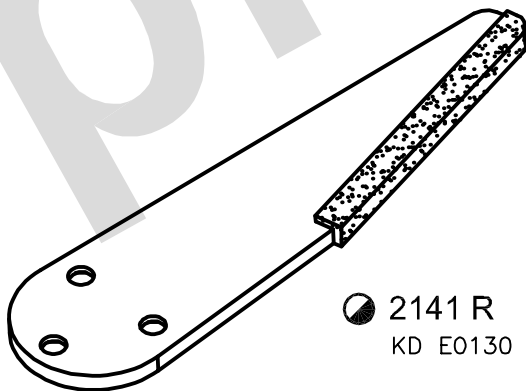
2130B-00

(2010B-00)

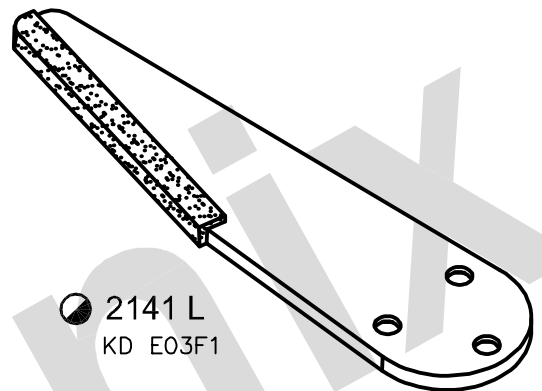
10 4D-00102-0

SELVEDGE CUTTER ASSEMBLY
BEARING TYPE

2140 - NISSAN 190 (WEFT)



● 2141 R
KD E0130



● 2141 L
KD E03F1

MATERIAL CODE : ● SOLID CARBIDE , ○ HSS , ◐ BRAZED CARBIDE , ⊙ TIN COATED