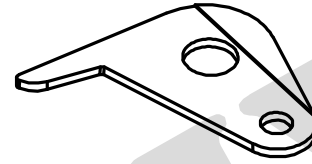


6000 - (GTX - 8 - J)

● 6001



6010 - (OPTIMAX ROTARY WEFT)

● 6011
BA 232671
24° Sharp



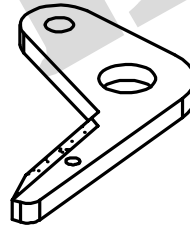
● 6012
BA 232671
30° Sharp



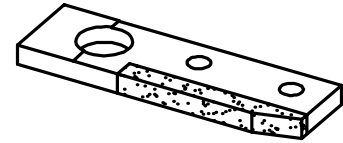
6020 - MODIFIED 6060 BUSH TYPE

6020B-0R/L

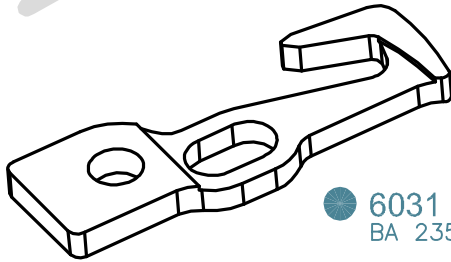
● 6023 R



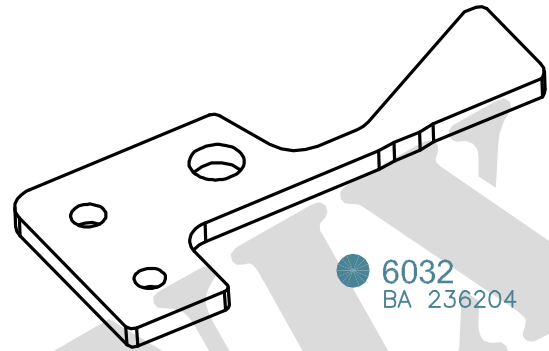
● 6024 R



6030 - OPTIMAX WEFT

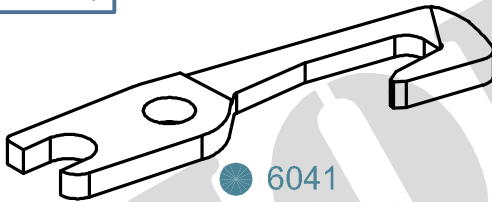


● 6031
BA 235366

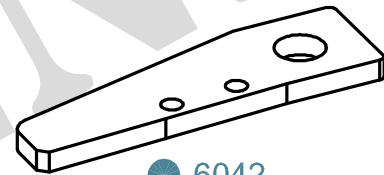


● 6032
BA 236204

6040 - (WEFT)

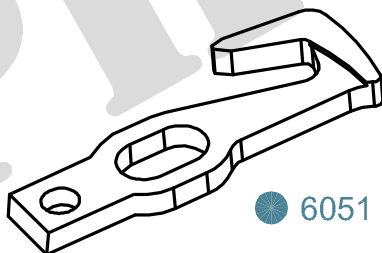


● 6041
BA 209047

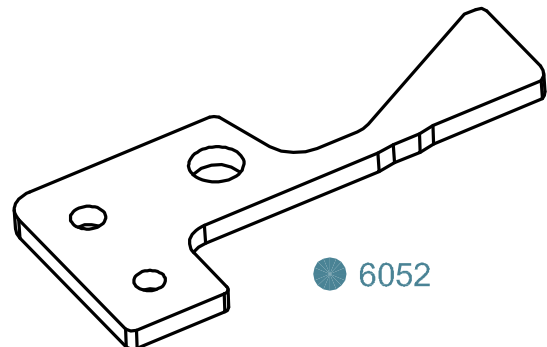


● 6042
BA 207817

6050 - OPTIMAX WEFT



● 6051



● 6052

MATERIAL CODE : ● SOLID CARBIDE , ○ HSS , ◐ BRAZED CARBIDE , ⊙ TIN COATED