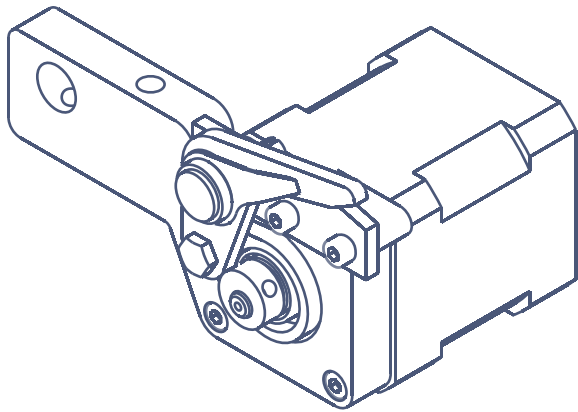
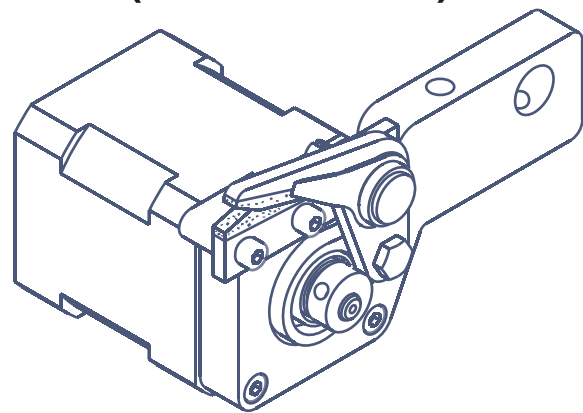


6060 - (Motorized Selvedge RH & LH)



6060A-0R Cutter Assembly
6060A-00R Cutter Assembly With Stepper Motor RH (Carbide Cutter)



6060B-0L Cutter Assembly
6060B-00L Cutter Assembly With Stepper Motor LH (Brazedtip Cutter)

● **6061R**
 BE 163175
 BE 306528



● **6061L**
 BE 152674
 BE 306529



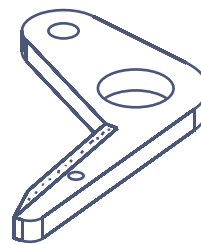
● **6062R**
 BE 207668
 BE 306532



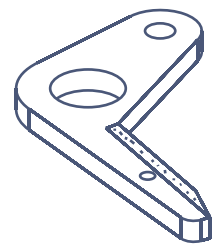
● **6062L**
 BE 152685
 BE 207668



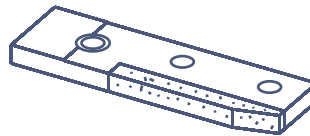
◐ **6063R**



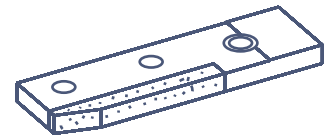
◐ **6063L**



◐ **6062R**



◐ **6062L**



6010 - (Optimax Rotary Weft)

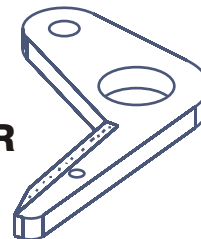
● **6011**
 BA 232671



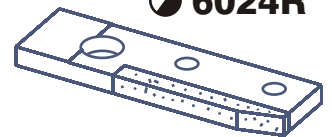
6020 - Modified 6060 Bush Type

6020-0R/L

◐ **6023R**



◐ **6024R**



6070 - (Tuck In Selvedge)

● **6073**
 B 96950



● **6071**
 B 158983

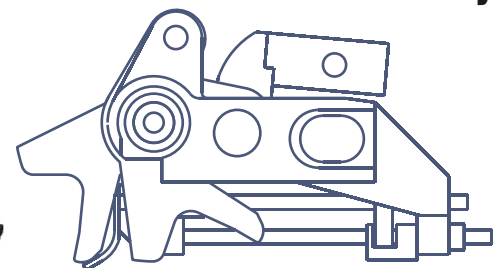


● **6072**
 B 158982

● **6074**



6070-00 Cutter Assembly



6080 - (Optimax Weft)

● **6081**
 BA 234282

● **6082**
 BA 233400

Material code : ● Solid carbide / ○ HSS / ◐ Brazed Carbide / ⊙ TiN Coated