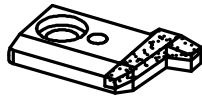


# FOR NUOVO PIGNONE RAPIER

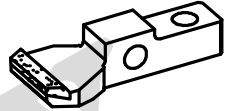
3100

## 3100 - TIP ( WEFT )



● 3101  
PAP 39312

● 3102  
PAP 39314

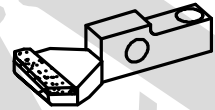


## 3110 - TP300 ( WEFT )



● 3111

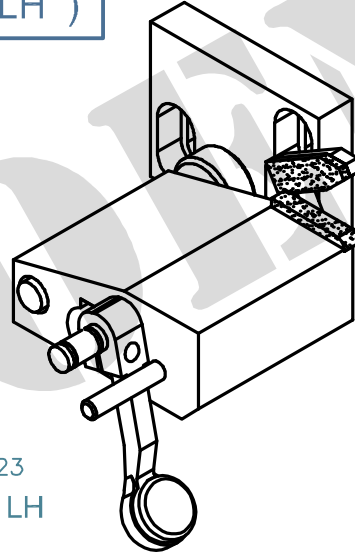
● 3112



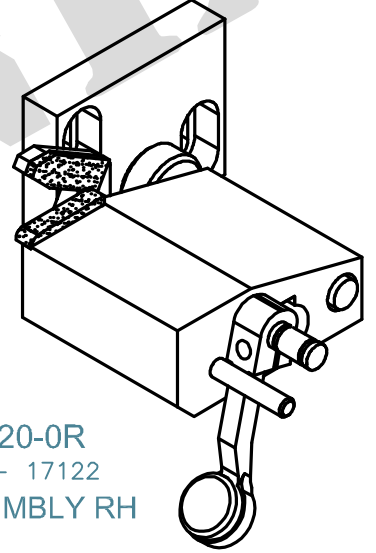
## 3120 - TP ( SELVEDGE RH & LH )

3121 & 2 R  
SET OF CUTTER RH  
3121 & 2 L  
SET OF CUTTER RH

3120-0L  
PBO - 17123  
ASSEMBLY LH

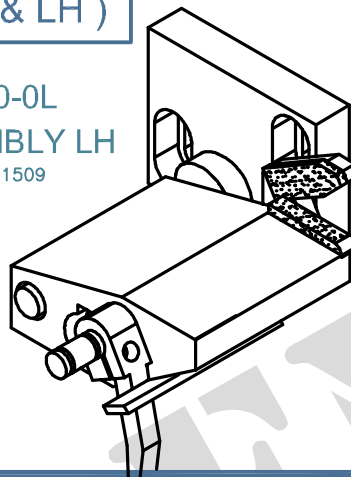


3120-0R  
PBO - 17122  
ASSEMBLY RH

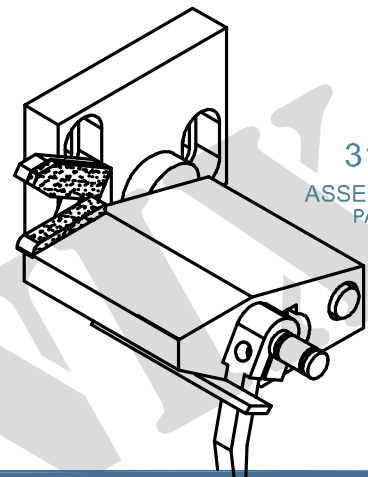


## 3130 - TP3 ( SELVEDGE RH & LH )

3130-0L  
ASSEMBLY LH  
PAO 11509



3130-0R  
ASSEMBLY RH  
PAO 11508



## 3140 - TP ( CENTRAL )

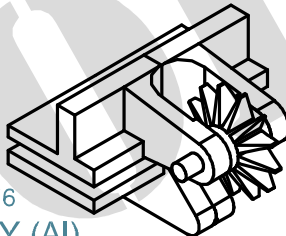
○ 3141  
PAQ - 56818



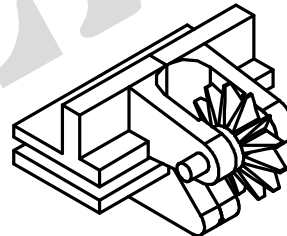
● 3142



3140-00  
PAO - 11776  
ASSEMBLY (AI)

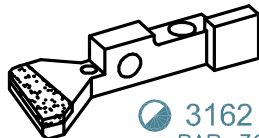


3140-0P  
PAO - 11776  
ASSEMBLY (Plastic)

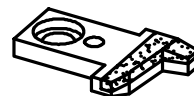


## 3160 - TP300 , SMIT ( WEFT ) | 3160 - SMIT ( LH )

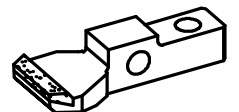
● 3161  
PAP 39321



● 3162  
PAP 39320



● 3163



● 3164

MATERIAL CODE : ● SOLID CARBIDE , ○ HSS , ● BRAZED CARBIDE , ⊙ TIN COATED