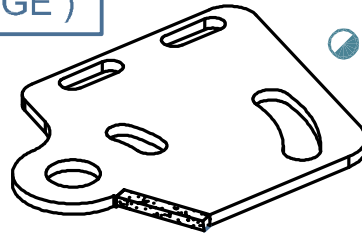


FOR NP/SULZER RAPIER

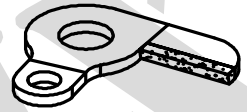
3170

3170 - SMIT, TP300 (SELVEDGE)

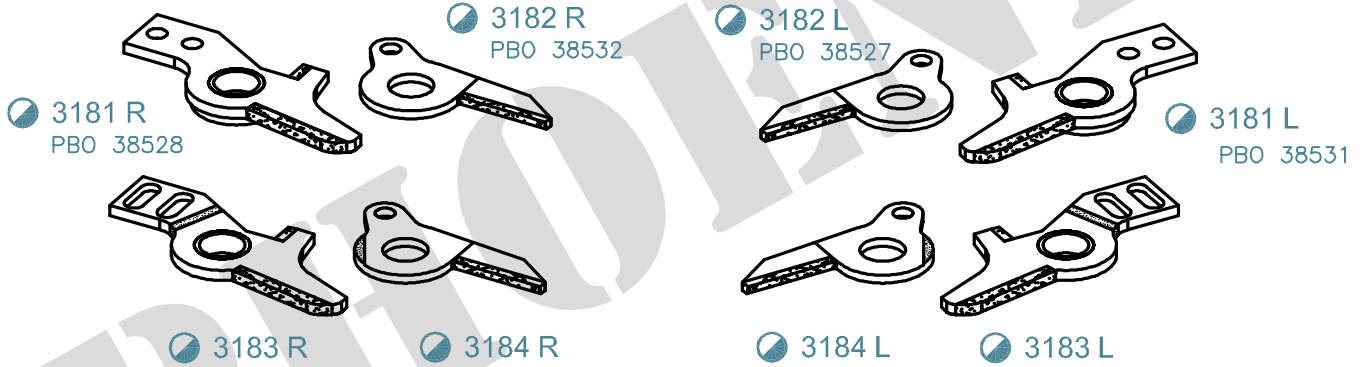


● 3171
PAP 70399

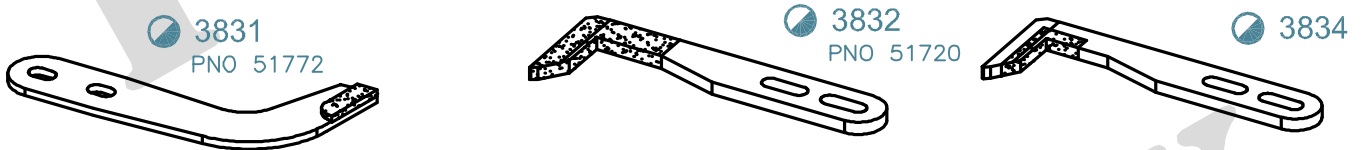
● 3172
PAP 39317



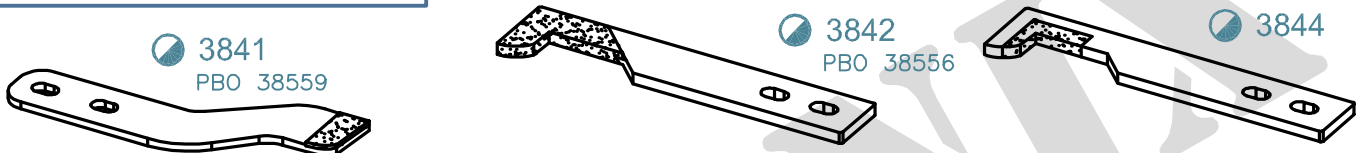
3180 - FAST / TP500 (TUCK IN SELVEDGE RH & LH)



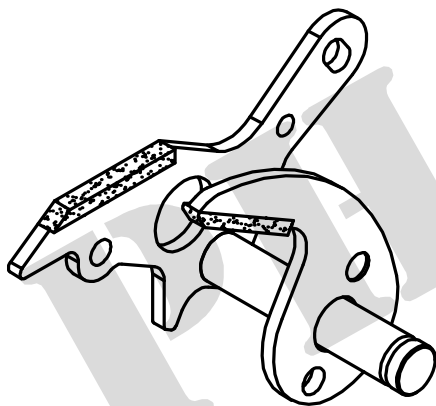
3830 - G6300 , FAST (WEFT)



3840 - TP6300 (WEFT)

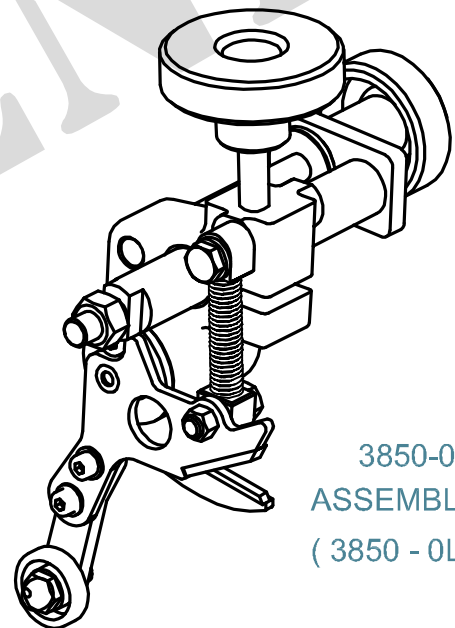


3850 - G6300 (SELVEDGE LH &RH)



● 3851&2L
PNO 51740 & 51738
PQO 51769 & 51767

● (3851&2R)
PNO 51739 & 51737
PQO 51770 & 51768



3850-0R
ASSEMBLY RH
(3850 - 0L)

MATERIAL CODE : ● SOLID CARBIDE , ○ HSS , ◐ BRAZED CARBIDE , ⊙ TiN COATED