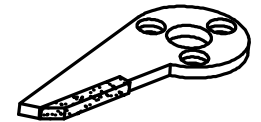
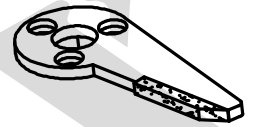
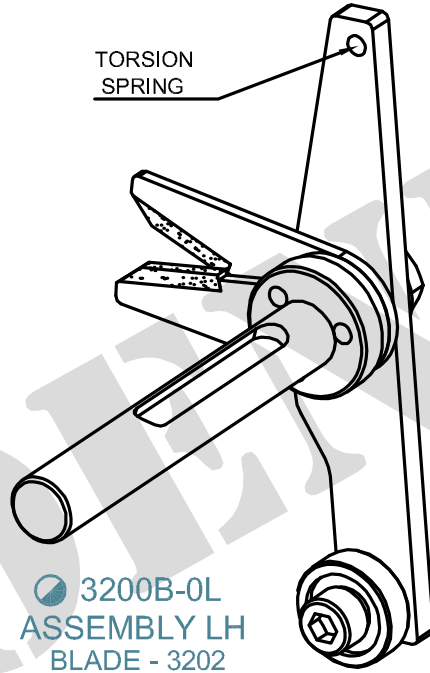
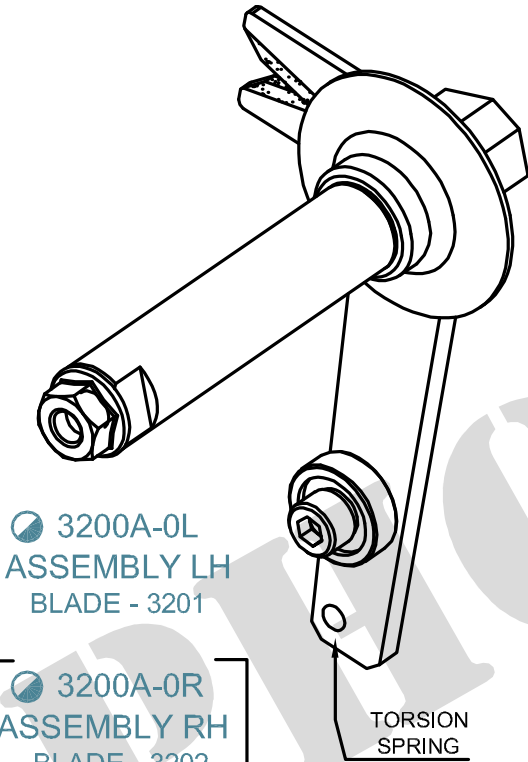
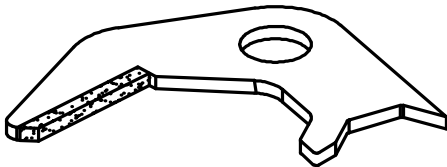


3200 - (SELVEDGE RH & LH)

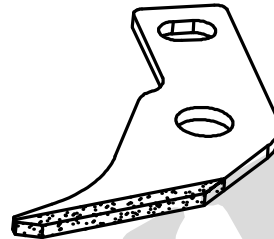


3210 - PALANCHE 700 (WEFT)

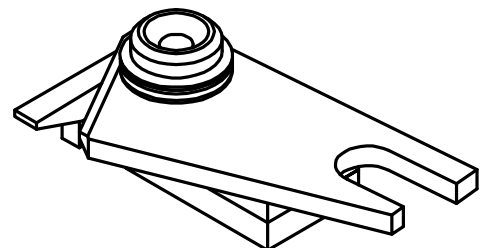
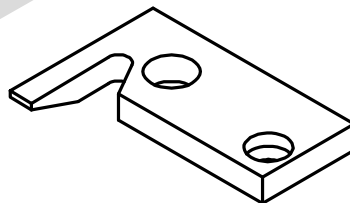
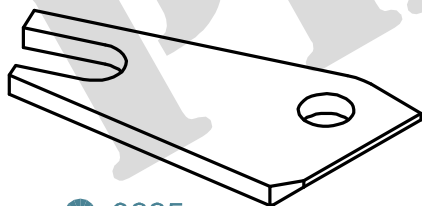
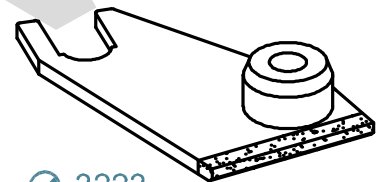
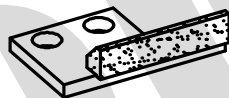
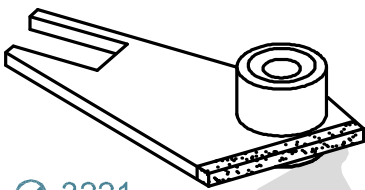
3212
501452
5311



3211
501454
5299



3220 - (WEFT)



MATERIAL CODE : ● SOLID CARBIDE , ○ HSS , ◐ BRAZED CARBIDE , ◎ TIN COATED