

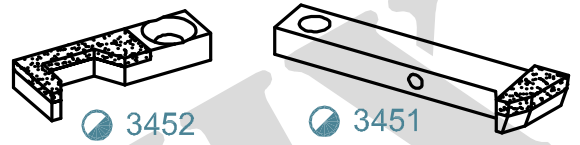
FOR SULZER RAPIER

3450

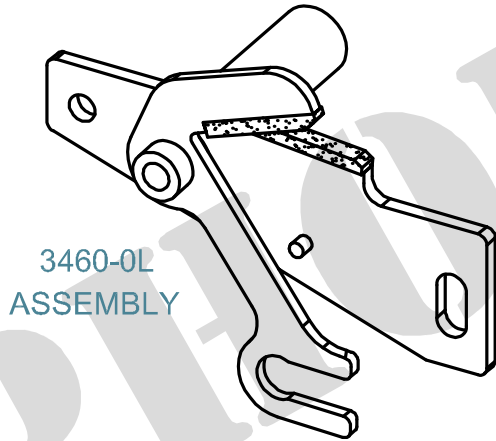
3440 - (MOTORIZED SELVEDGE)



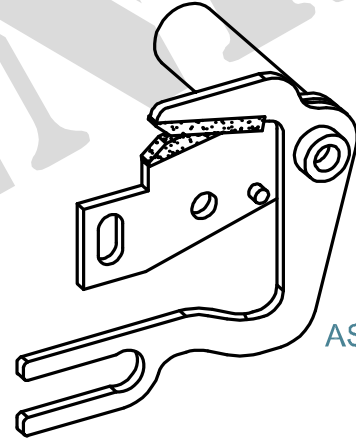
3450 - R2000 (WEFT)



3460 & 3470 - F2001 (SELVEDGE)

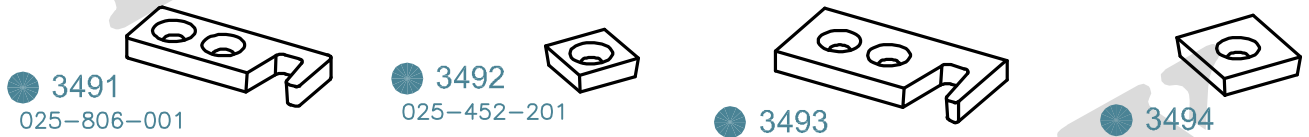


3460-0L
ASSEMBLY



3470-0R
ASSEMBLY

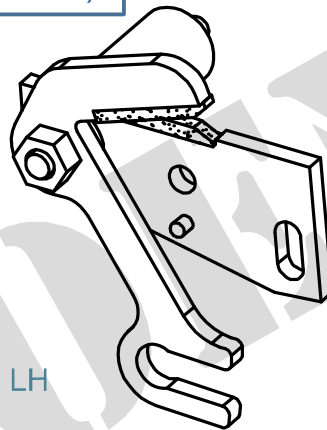
3490 - F2001 / G6100 / G6200 (WEFT)



3810 & 3820 - G6100 (SELVEDGE)

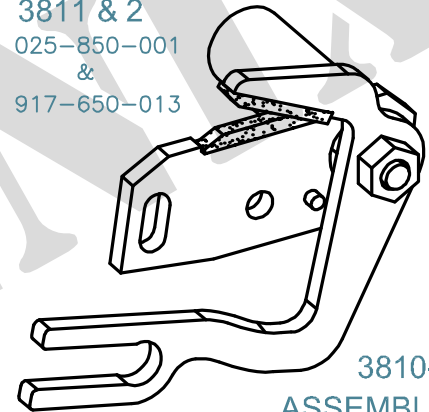
3821 & 2
025-890-701
&
917-650-028

3820-00
ASSEMBLY LH



3811 & 2
025-850-001
&
917-650-013

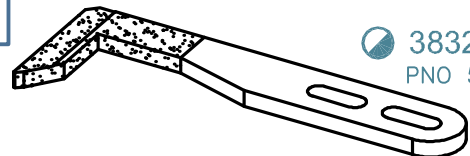
3810-00
ASSEMBLY RH



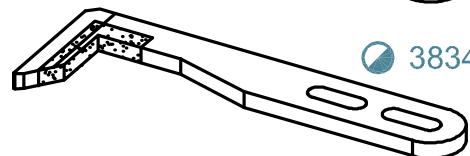
3830 - G6300, GS900, GS950 FAST (WEFT)



3831
PNO 51772



3832
PNO 51720



3834

MATERIAL CODE : ● SOLID CARBIDE , ○ HSS , ◐ BRAZED CARBIDE , ⊙ TiN COATED