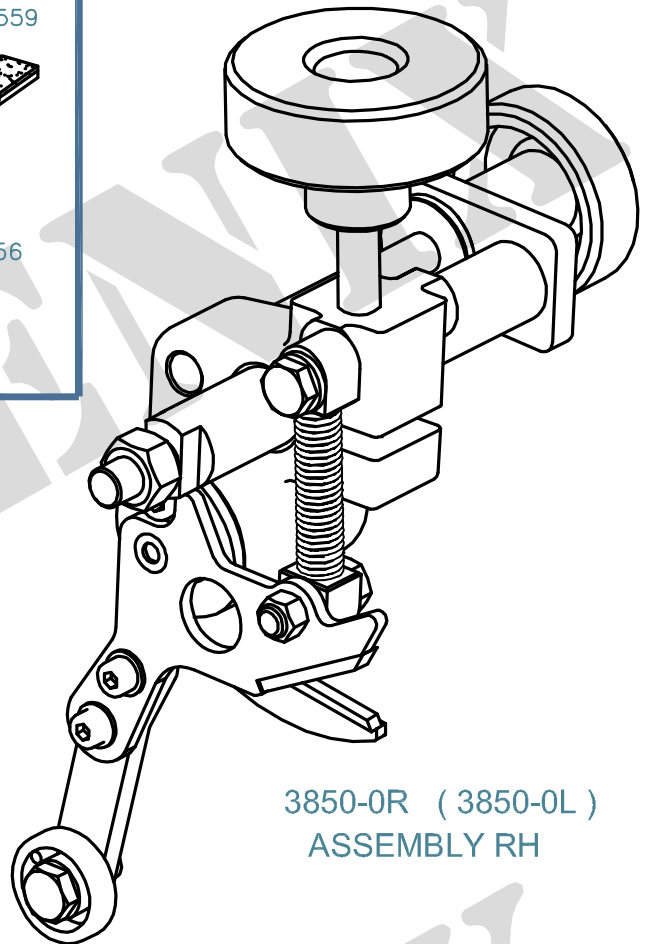
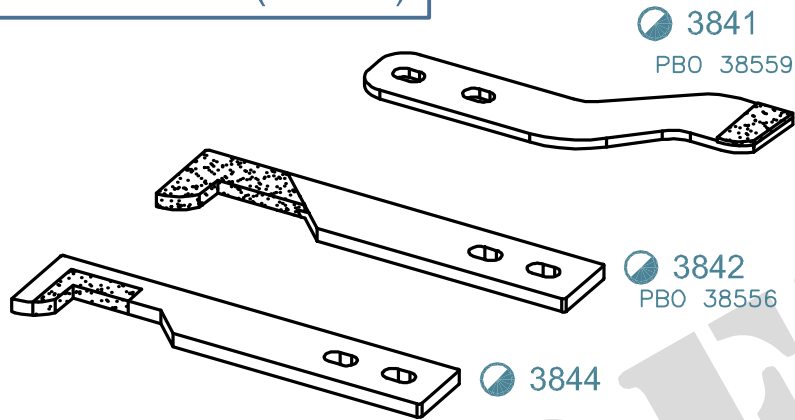
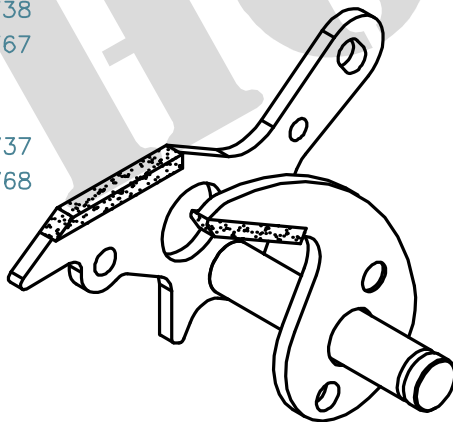


3840 - TP600 (WEFT)

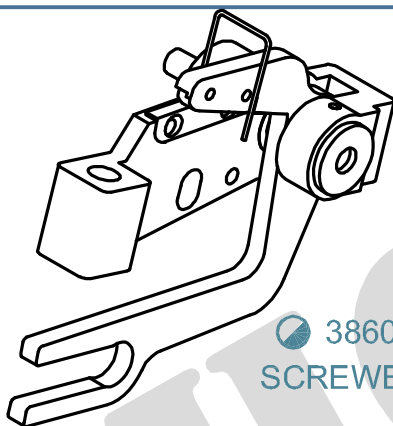


3850 - G6300 (SELVEDGE LH & RH)

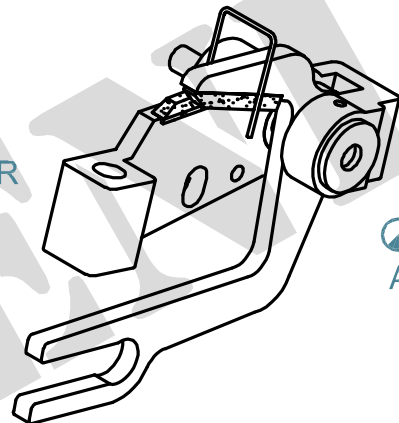
- 3851&2L
PNO 51740 & 51738
PQO 51769 & 51767
- (3851&2R)
PNO 51739 & 51737
PQO 51770 & 51768



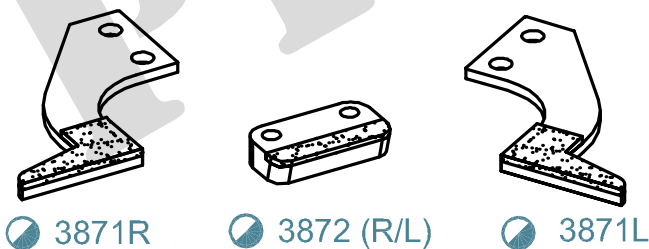
3860 - G6200 (SELVEDGE)



- 3861&2
SET OF CUTTER
626.906.000 &
917.675.027



3870 - G6300 (TUCK IN SELVEDGE)



- 3870-OR CUTTER ASSEMBLY
- 3870-OL CUTTER ASSEMBLY
- 3870-OC CUTTER ASSEMBLY

MATERIAL CODE : ● SOLID CARBIDE , ○ HSS , ◐ BRAZED CARBIDE , ⊙ TIN COATED