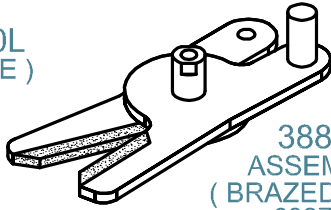
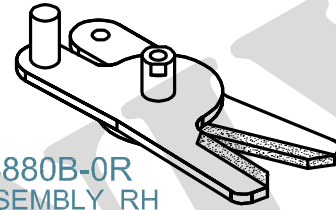


**3880 - G6200 ( TUCK IN SELVEDGE )**

3880A-0L  
( CARBIDE )



3880B-0L  
ASSEMBLY LH  
( BRAZED CARBIDE )  
622716000



3880A-0R  
( CARBIDE )

3880B-0R  
ASSEMBLY RH  
( BRAZED CARBIDE )  
622719000

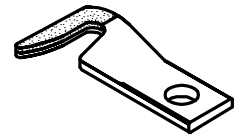
**3890 - G6200 ( WEFT )**



● 3891  
617.452.000  
627331000  
627.208.000



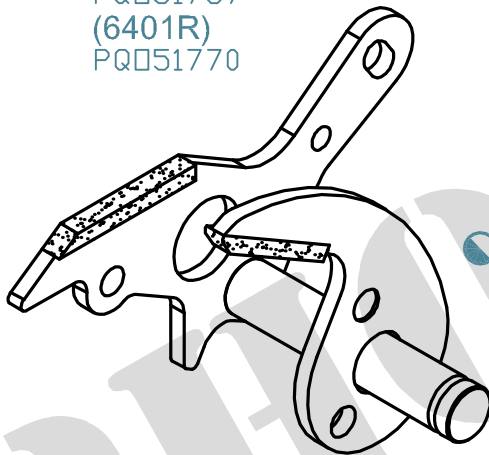
● 3892  
624.623.000  
62720800  
627720800  
629.113.000



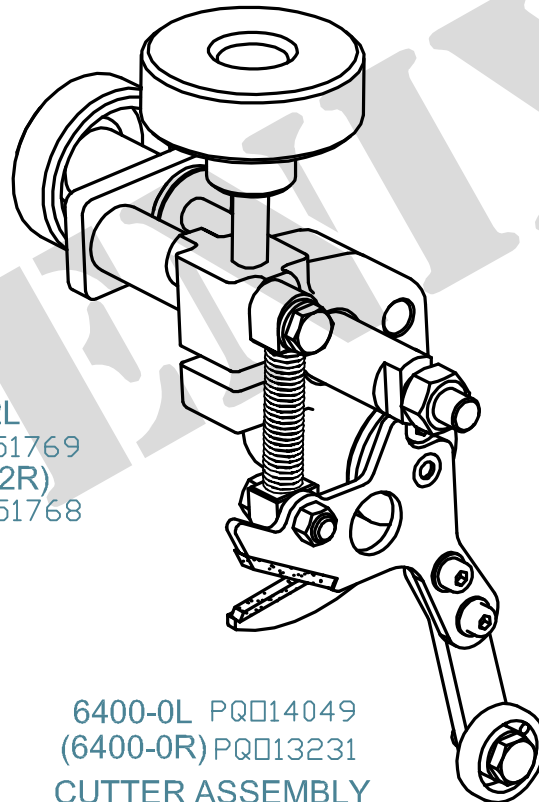
● 3894

**6400 - SMIT GS920F ( SELVEDGE ) 11.2007**

● 6401L  
PQ051767  
(6401R)  
PQ051770



● 6402L  
PQ051769  
(6402R)  
PQ051768



6400-0L PQ014049  
(6400-0R) PQ013231  
CUTTER ASSEMBLY

MATERIAL CODE : ● SOLID CARBIDE , ○ HSS , ◐ BRAZED CARBIDE , ⊙ TIN COATED