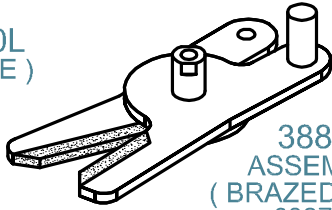
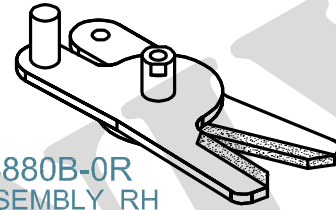


**3880 - G6200 ( TUCK IN SELVEDGE )**

3880A-0L  
( CARBIDE )



3880B-0L  
ASSEMBLY LH  
( BRAZED CARBIDE )  
622716000



3880A-0R  
( CARBIDE )

3880B-0R  
ASSEMBLY RH  
( BRAZED CARBIDE )  
622719000

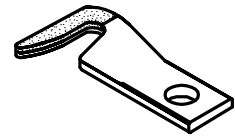
**3890 - G6200 ( WEFT )**



● 3891  
617.452.000  
627331000  
627.208.000

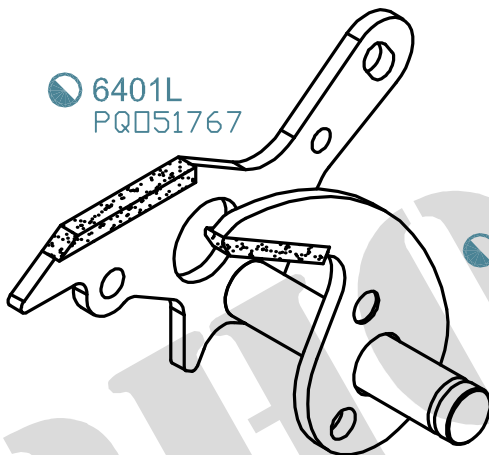


● 3892  
624.623.000  
62720800  
627720800  
629.113.000

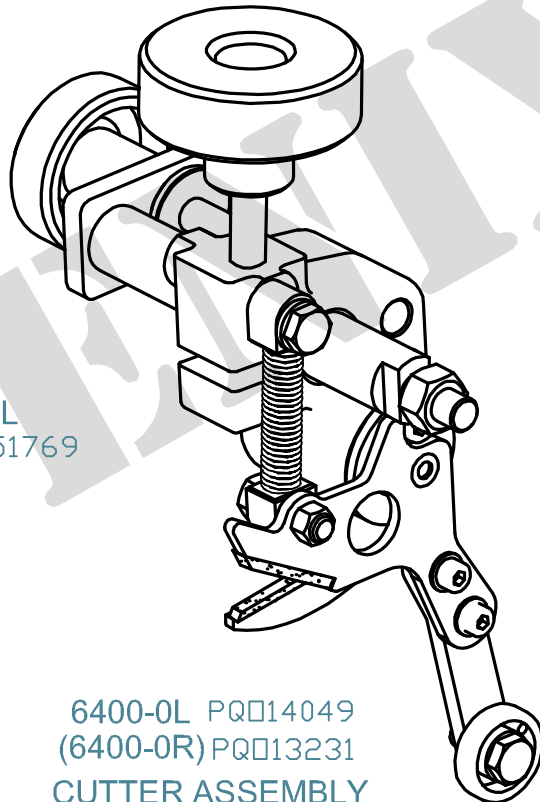


● 3894

**6400 - SMIT GS920F ( SELVEDGE ) 11.2007**



● 6401L  
PQQ51767



● 6402L  
PQQ51769

6400-0L PQQ14049  
(6400-0R) PQQ13231  
CUTTER ASSEMBLY

MATERIAL CODE : ● SOLID CARBIDE , ○ HSS , ◐ BRAZED CARBIDE , ⊙ TIN COATED