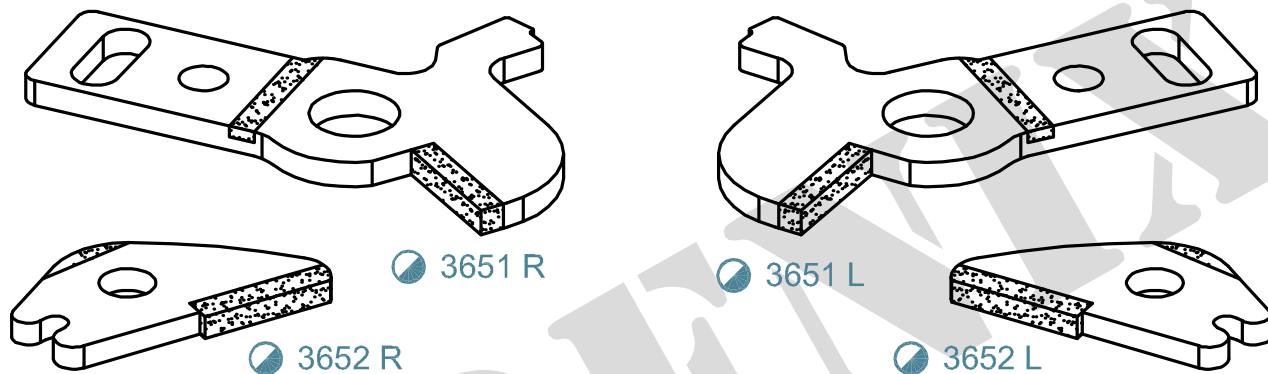


FOR SUNGLEE RAPIER

3650

3650 - (SELVEDGE RH & LH)



3660 - (WEFT)

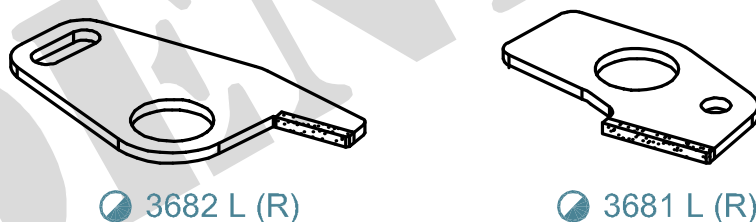


FOR HIRAIWA RAPIER

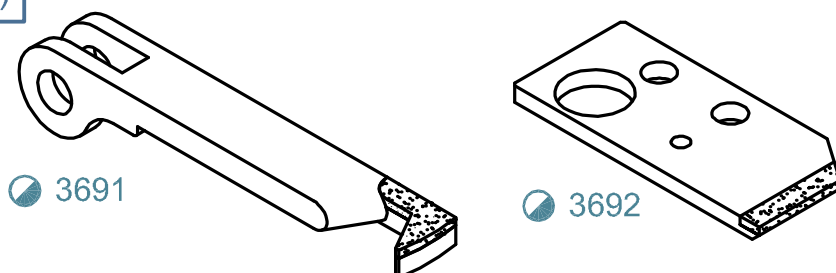
3670 - ELECTRONIC (WEFT)



3680 - (SELVEDGE RH & LH)



3690 - MECHANICAL (WEFT)



MATERIAL CODE : ● SOLID CARBIDE , ○ HSS , ◐ BRAZED CARBIDE , ⊙ TIN COATED