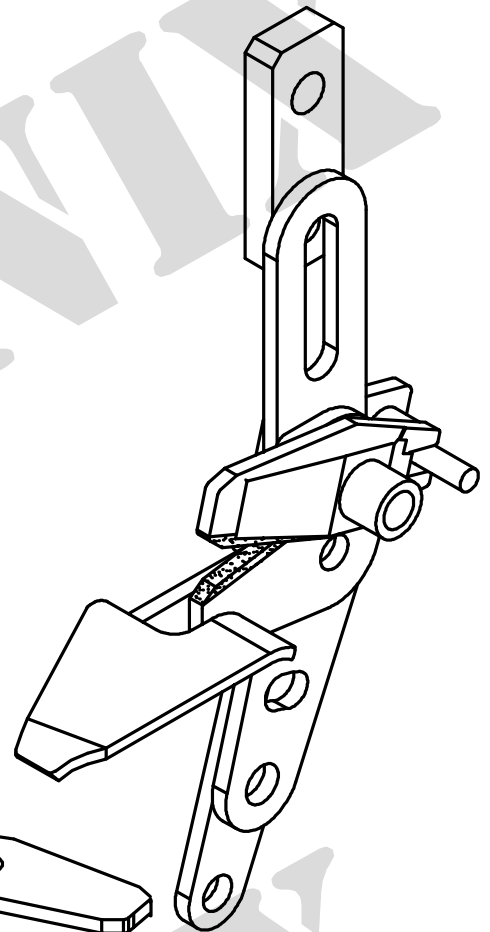
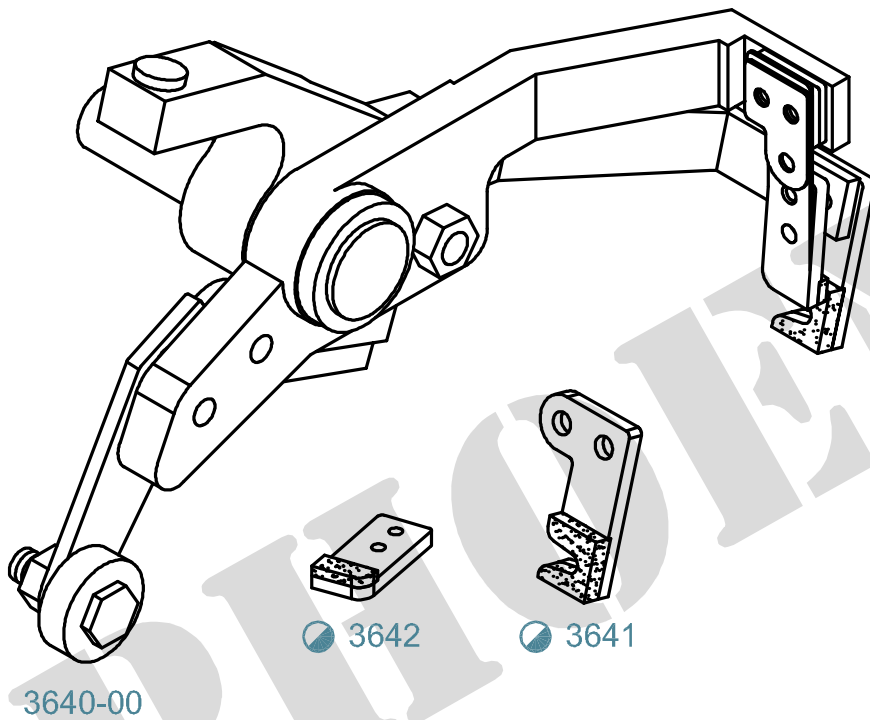
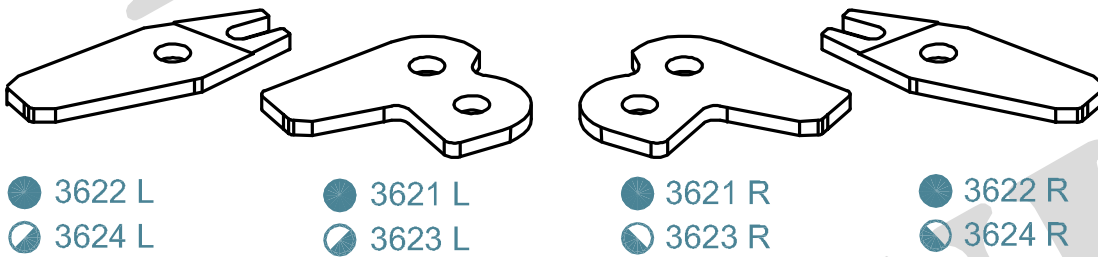


3640 - (WEFT)

3620-0R ASSEMBLY RH
(3620-0L ASSEMBLY LH)



3620 - (SELVEDGE RH & LH)



3630 - (WEFT)



MATERIAL CODE : ● SOLID CARBIDE , ○ HSS , ◐ BRAZED CARBIDE , ⊙ TIN COATED