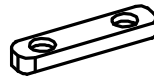
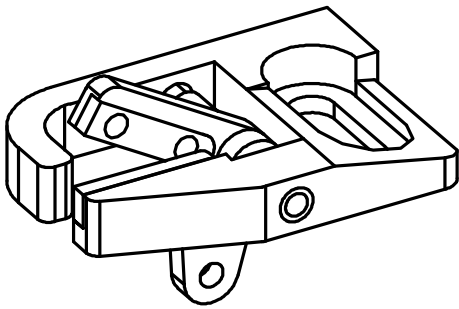
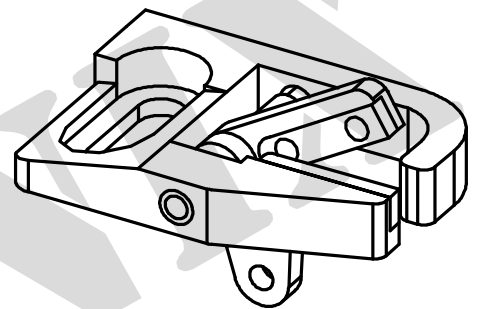


6830 - (SELVEDGE)



● 6833
(6893)

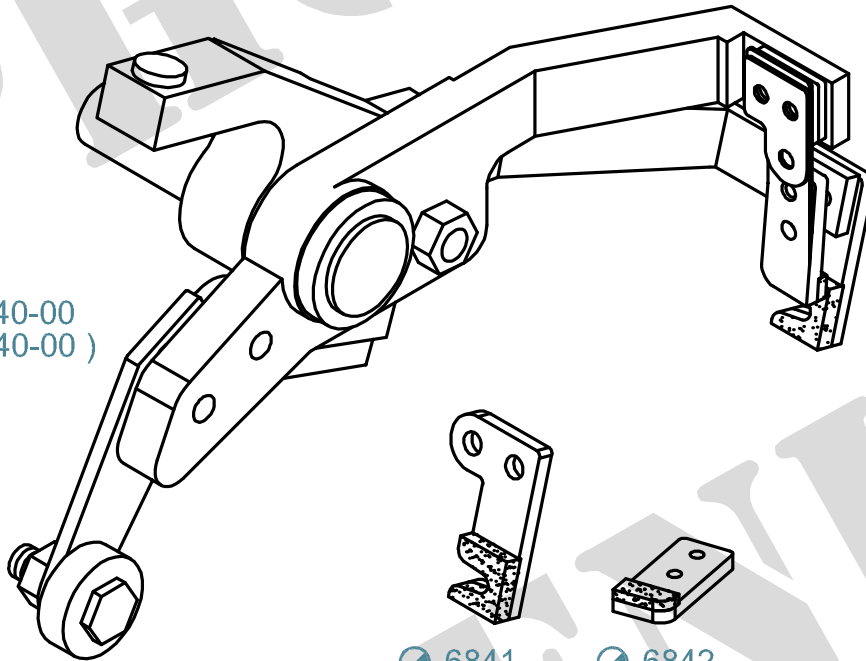


6830-0R (6890-0R)
SELVEDGE CUTTER ASSEMBLY RH
(BALL BEARING TYPE)

6830-0L (6890-0L)
SELVEDGE CUTTER ASSEMBLY LH
(BALL BEARING TYPE)

6840 - (WEFT)

6840-00
(3640-00)



● 6841
(3641)

● 6842
(3642)

MATERIAL CODE : ● SOLID CARBIDE , ○ HSS , ◐ BRAZED CARBIDE , ⊙ TIN COATED