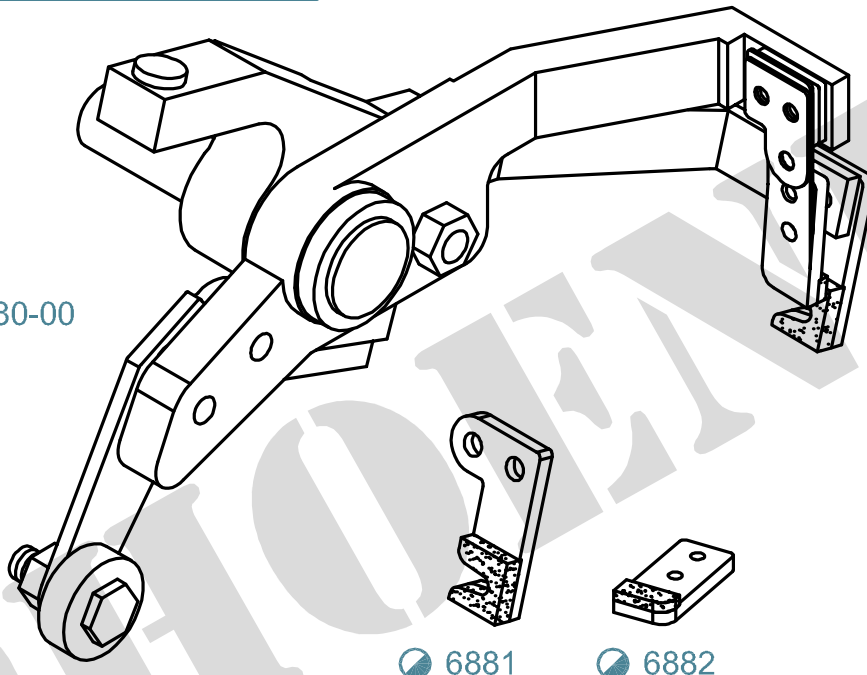


6880 - (WEFT) ASSEMBLY

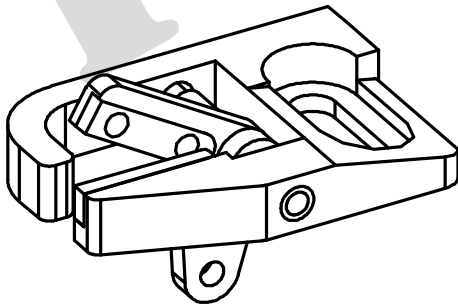
6880-00



● 6881

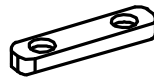
● 6882

6890 - (SELVEDGE)

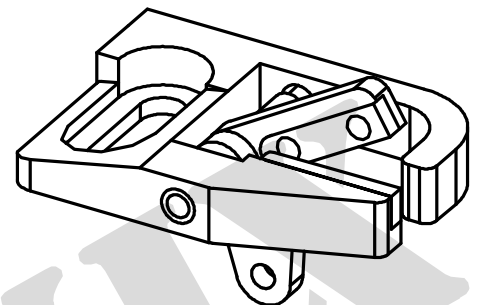


6890-0R

SELVEDGE CUTTER ASSEMBLY RH
(BALL BEARING TYPE)



● 6893



6890-0L

SELVEDGE CUTTER ASSEMBLY LH
(BALL BEARING TYPE)

MATERIAL CODE : ● SOLID CARBIDE , ○ HSS , ◐ BRAZED CARBIDE , ⊙ TIN COATED