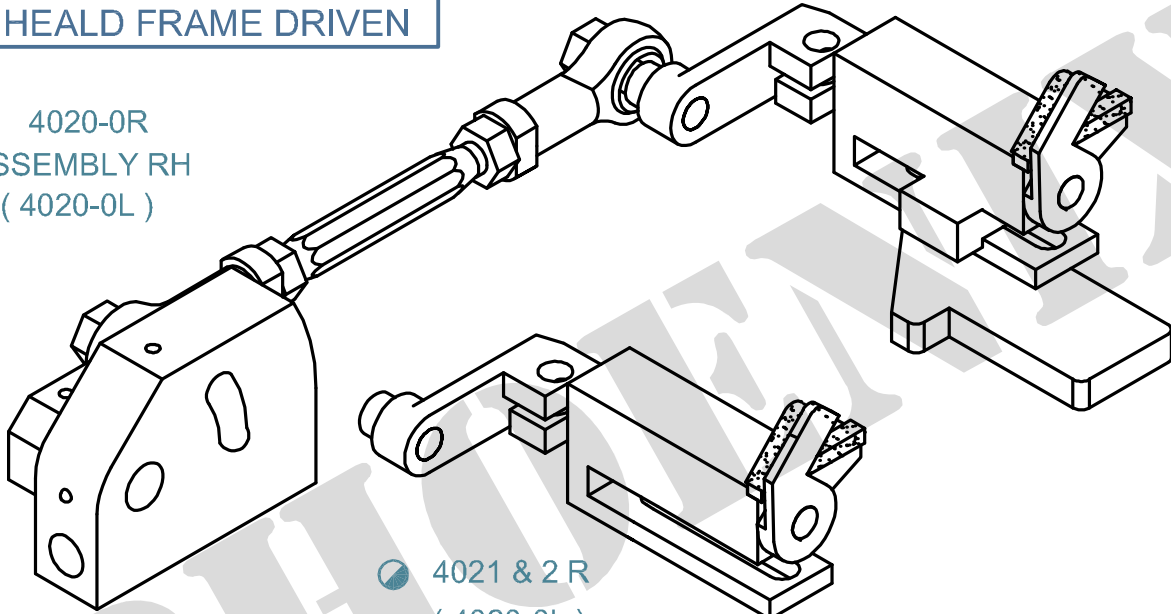


4020 - (LENO SELVEDGE RH & LH)

HEALD FRAME DRIVEN

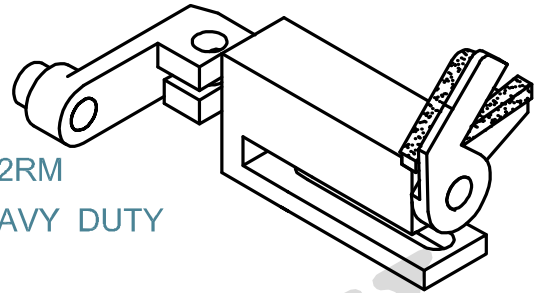
4020-0R
ASSEMBLY RH
(4020-0L)



● 4021 & 2 R
(4020-0L)

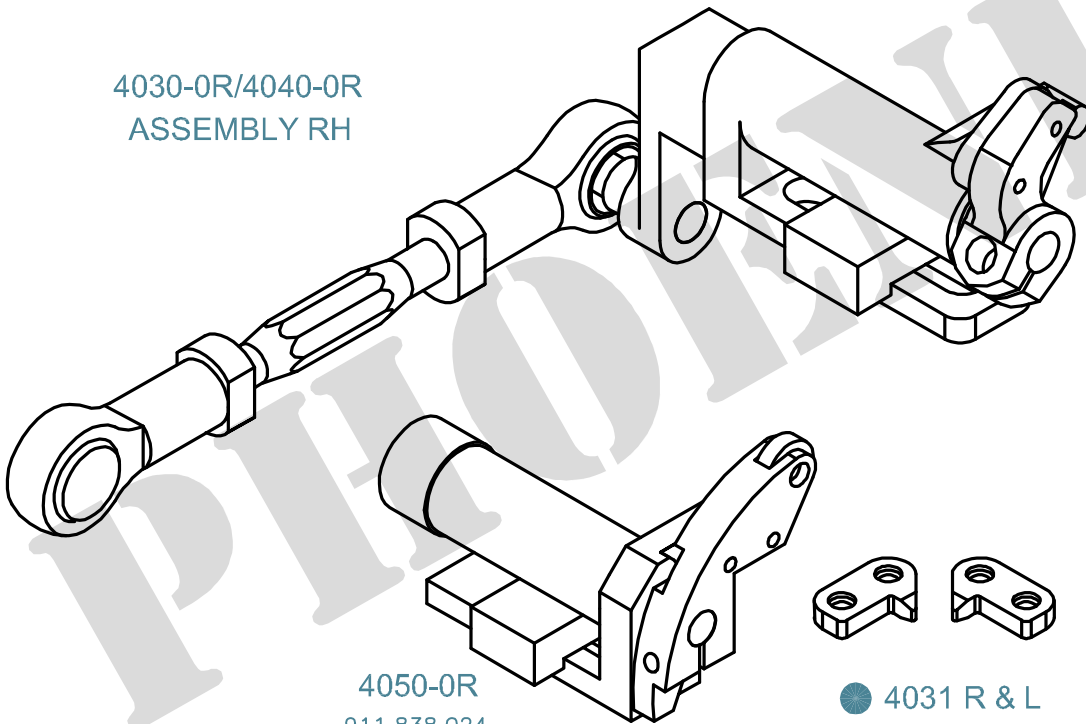
4020-00R (4020 - 00L)
ASSEMBLY WITH HEALD FRAME
DRIVE PARTS RH

4021 & 2RM
MODIFIDE HEAVY DUTY



4030 / 4040 / 4050 - (LENO SELVEDGE RH & LH)

4030-0R/4040-0R
ASSEMBLY RH



● 4032
● 4042
● 4052

4050-0R
911.838.024

● 4031 R & L

● 4041 R & L
● 4051 R&L

MATERIAL CODE : ● SOLID CARBIDE , ○ HSS , ◐ BRAZED CARBIDE , ⊙ TiN COATED